

LISTA RICAMBI

CODICE: 8.657.0606 REV.: 1 DESCRIZIONE: IDRO MICHIGAN 1211LP 230/50 TS -G- LWS

DATA INIZIO VAL.: 03/09/2010 DATA FINE VAL.: 01/01/3000

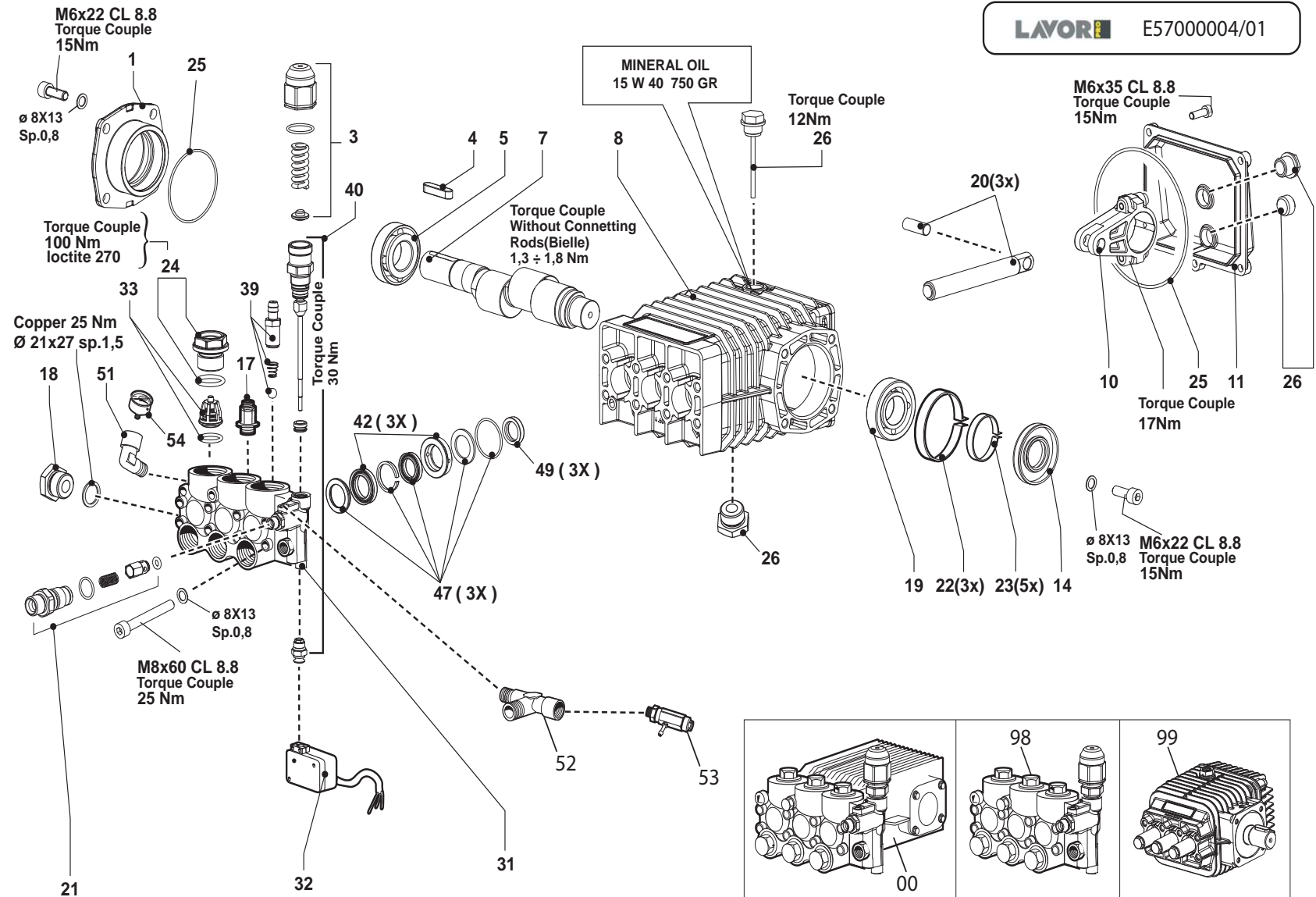
CODICE GRUPPO: R56010483 REV.: 1 DESCRIZIONE: MOTORPUMP

DATA INIZIO VAL.: 06/07/2010 DATA FINE VAL.: 01/01/3000 N. TAVOLA: E56010031/03

CODICE:	DESCRIZIONE:	QTA':	POS:	RIF1:	RIF2:
5.601.0483	MOTORPUMP 230/50 4P 1508	1	00		
3.100.0118	T CONNECTOR M1/4'- M1/4'F1/4 ' (E2117001)	1	01		
3.704.0005	AIR PRESSURE SWITCH PR5 45BAR 1/4 L.650	1	02		
3.106.0004	SECURITY VALVE G1/8 M D6 200BAR MTM 00036021	1	06		
3.100.0143	T CONNECTION 1/8"M-1/8"F-1/8"F	1	07		
5.609.0154	KIT HOLDER RUBBER WITH ORING AND SPRING	1	08		
3.404.0007	CAPACITOR 60 MF. 450 V.50XL120	1	11		
4.605.0105	MOTOR FLANGE	1	13		
5.606.0137	MOTOR LWM 230/50 D.135 H130 4P WITH HOUSING	1	14		
3.099.1311	FAN D.162 W/CLIP AND SCREWS	1	15		
4.608.0294	MOTOR FAN COVER FOR D.135	1	16		
5.700.0016	PUMP	1	17		

LAVOR

E57000004/01



LISTA RICAMBI

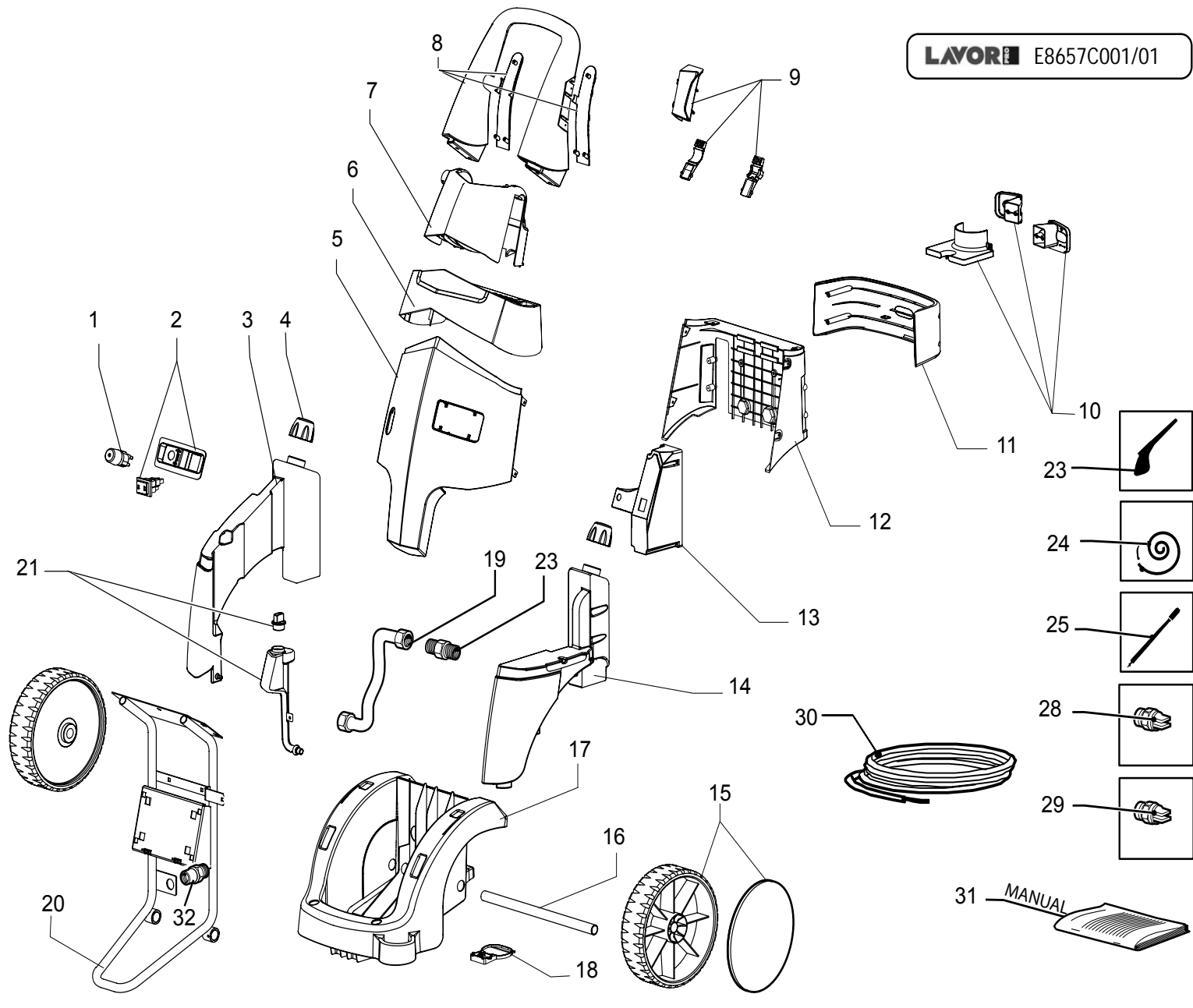
CODICE: 8.657.0606 REV.: 1 DESCRIZIONE: IDRO MICHIGAN 1211LP 230/50 TS -G- LWS

DATA INIZIO VAL.: 03/09/2010 DATA FINE VAL.: 01/01/3000

CODICE GRUPPO: R57000016 REV.: 1 DESCRIZIONE: PUMP

DATA INIZIO VAL.: 07/20/2010 DATA FINE VAL.: 01/01/3000 N. TAVOLA: E57000004/01

CODICE:	DESCRIZIONE:	QTA':	POS:	RIF1:	RIF2:
5.700.0016	PUMP	1	000		
4.605.0096	COVER CRANKSHAFT -B41004-	1	001		
6.005.0120	KIT 111 PRESSURE REGULATOR FOR BRASS HEAD	1	003		
3.001.0085	RADIAL SPHERE BEARING 20X25X15	1	005		
4.607.0533	SHAFT	1	007		
4.605.0097	CRANKCASE 1508 -B41001-	1	008		
6.605.0112	COMPLETE CONNECTING ROD	1	010		
4.605.0095	CRANKCASE COVER ASSY -B41003-	1	011		
3.201.0058	SHAFT GASKET 25X62X10	1	014		
4.606.0160	1/2G CAP	1	018		
3.001.0084	RADIAL SPHERE BEARING 25X62X17	1	019		
6.605.0090	LP PISTONS KIT	1	020		
5.609.0153	INJECTOR D. 2,1	1	021		
6.605.0114	SEEGER KIT D.62	1	022		
6.605.0113	SEEGER KIT D.25	1	023		
5.009.0101	CAP VALVE SUCTION DELIVERY-OR MOUNTED	6	024		
6.605.0122	O-RING COVER CRANKSHAFT/CRANKCASE	1	025		
6.605.0119	OIL DIP STICK/OIL SIGHT GLASS/OIL DRAIN PLUG	1	026		
4.606.0196	LAVOR HEAD	1	031		
6.005.0293	MICROSWITCH KIT	1	032		
6.005.0117	KIT 108 VALVES	1	033		
5.009.0561	CONNECTOR X DETERGENT SUCTION D.1 + OR	1	039		
6.005.0290	BY-PASS VALVE	1	040		
6.605.0089	LP BUSHES KIT	1	042		
6.605.0088	LP WATER GASKET KIT	1	047		
6.605.0111	OIL GASKET KIT	1	049		
3.100.0041	COUPLING 3/8MSV-3/8MSV 12200600	1	051		
5.008.0243	ASSEMBLY HEAD	1	098		
5.609.0213	PUMP LAVOR GROUP KIT D.15 1450 rpm 11LT.(1508)	1	099		



LISTA RICAMBI

CODICE: 8.657.0606 REV.: 1 DESCRIZIONE: IDRO MICHIGAN 1211LP 230/50 TS -G- LWS

DATA INIZIO VAL.: 03/09/2010 DATA FINE VAL.: 01/01/3000

CODICE GRUPPO: R86570606 REV.: 1 DESCRIZIONE: CHASSIS

DATA INIZIO VAL.: 03/09/2010 DATA FINE VAL.: 01/01/3000 N. TAVOLA: E8657C001/01

CODICE:	DESCRIZIONE:	QTA':	POS:	RIF1:	RIF2:
6.605.0074	SWITCH KIT	1	02		
4.608.0364	CHEMICAL TANK	1	03		
4.608.0180	TANK CAP	1	04		
4.613.0316	YELLOW COVER	1	05		
4.608.0267	ACCESSOIRES HOLDER X VERTICAL W.OUT/HOSE REEL ESP.00	1	07		
6.605.0066	HANDLE+PLATES KIT X MICHIGAN	1	08		
6.605.0068	LOCK+PLATES KIT X MICHIGAN	1	09		
6.605.0069	ACCESSOIRES HOLDER KIT	1	10		
4.608.0237	REAR SHEATING P.86.0235 ESP.00	1	11		
4.608.0366	REAR COVER	1	12		
6.605.0100	CONTROL BOX KIT	1	13		
6.605.0098	WHEELS+COVERS KIT	1	15		
4.607.0386	AXLE D.25 L=425 X VERTICAL ESP .00	1	16		
4.608.0236	LOWER COVER P86.0235 ESP.00	1	17		
4.618.0040	L.P.PIPE D.19X10 L=350 3/8F+EL BOW.3/8FG	1	19		
5.613.0309	CHASSIS		20		
6.605.0058	TANK+CAP KIT	1	21		
6.601.0001	GUN FOR HIGH PRESSURE WASHER S'10 3/8' WITH QUICK CONNECTION	1	23		
4.618.0143	HIGH PRESSURE HOSE 5/16 310BAR R L=10000 1/2 TWIST.-3/8	1	24		
6.602.0044	LANCE L.900 QUICK CONN-1/8 F WITH WASHER	1	25		
3.103.0029	HIGH PRESSURE NOZZLE 050	1	28		
3.103.0051	HIGH PRESSURE NOZZLE 050	1	29		
4.012.0150	CABLE H05VV-F 3X1.5 MT.5.2 F/F SCHUKO PLUG ESP.00	1	30		
7.700.0336	INSTRUCTION MANUAL	1	31		
4.606.0190	NIPPLE 3/4 M-3/8 F ESP.00	1	32		