

# LAVORWASH

## SERVICE

# ERSATZTEILLISTE

## NPX 1813

Code R86200603-1  
 Beschreibung CHASSIS

Anfangsdatum 10/10/2008  
 Schlussdatum 1/1/3000  
 Tafel E8620C002-01

| Pos. | Code       | Menge pro | Menge e. | Beschreibung   | Alternative | M | F |
|------|------------|-----------|----------|--|-------------|---|---|
| 001  | 5.613.0115 | 1         | 1        | HINTERE ACHSE JOLLY 5/LKX                              |             | 0 | C |
| 002  | 4.613.0181 | 1         | 1        | CARENAT.SUP.NPX-LKX04 -G- RAL.1018 ESP.02              |             | 0 | C |
| 003  | 4.608.0170 | 1         | 1        | MANIGLIA SX NPX'04-GR-RAL.7021ESP.00                   |             | 0 | C |
| 004  | 4.608.0169 | 1         | 1        | MANIGLIA DX NPX'04-GR-RAL.7021ESP.00                   |             | 0 | C |
| 005  | 4.613.0182 | 1         | 1        | CARENATURA POSTER.NPX-LKX'04 -NERO- ESP.01             |             | 0 | C |
| 006  | 4.608.0203 | 1         | 1        | SERBATOIO GASOLIO/DETERGENTE NPX4/LKX4 ESP.00          |             | 0 | C |
| 007  | 3.002.0532 | 14        | 2        | POMOLO D.20 M5MX15                                     |             | 0 | C |
| 008  | 4.612.0046 | 2         | 1        | VERSORGUNGSKABEL H05PVC 4X1,5L=5000                    |             | 0 | C |
| 009  | 4.608.0074 | 6         | 4        | DISTANZSTUECK JOLLY 4/93 LANG                          |             | 0 | C |
| 011  | 4.608.0073 | 7         | 4        | DISTANZSTUECK JOLLY 4/93 KURZ                          |             | 0 | C |
| 012  | 5.613.0096 | 2         | 1        | HEIZKESSELACHSE JOLLY 4/93                             |             | 0 | C |
| 013  | 6.605.0021 | 1         | 4        | KIT RUOTA+BORCHIA+FERMO LKX'04-NPX'04-INDEPENDENT 2300 |             | 0 | C |
| 014  | 5.611.0142 | 1         | 1        | FIANCHETTO DX NPX-LKX -NERO- C/GANCIO                  |             | 0 | C |
| 015  | 5.611.0141 | 1         | 1        | FIANCHETTO SX NPX-LKX -NERO- C/GANCI                   |             | 0 | C |
| 016  | 4.608.0082 | 3         | 1        | DECKEL FUR CHEMIE UND BENZINTANK HD523 UND HD540       |             | 0 | C |
| 017  | 6.001.0071 | 1         | 1        | PISTOLA S'09C 3/8"-M22 23MPa 25l/min ESP.00            |             | 0 | C |
| 018  | 4.618.0142 | 1         | 1        | TUBO 5/16 210BAR L=10000 C/ATT.RAP.1/2 GIR.-3/8        | 4.618.0143  |   | 1 |
| 019  | 3.701.0015 | 1         | 1        | LANZE L.700+PL4/1 MIT SCHEIBEUND SCHNELLANSCHLUSS      |             | 0 | C |
| 021  | 5.611.0078 | 2         | 1        | CORREDO PORTAGOMMA ASP.OTTONE3/4 D.17                  |             | 0 | C |
| 022  | 3.103.0049 | 3         | 1        | UGELLO A.P.15040 1/8M 1/8MC4-04/15                     |             | 0 | C |

**ERSATZTEILLISTE**

Code R86200603-1

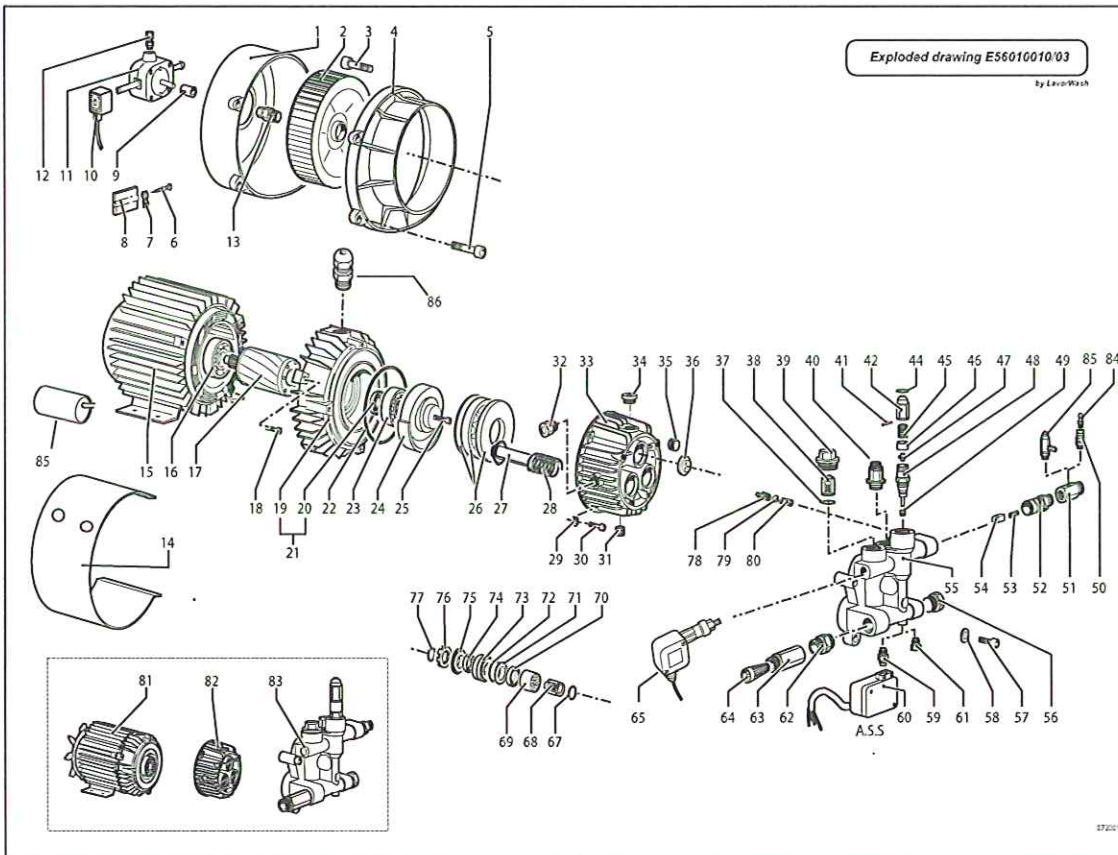
Anfangsdatum 10/10/2008

Beschreibung CHASSIS

Schlussdatum 1/1/3000

Tafel E8620C002-01

| Pos. | Code       | Menge pro | Menge | Beschreibung   | Alternative | M |
|------|------------|-----------|-------|--|-------------|---|
| 023  | 3.100.0043 | 2         | 1     | SCHWENBARER SCHNELLANSCHLUSS                         | 0           | C |
| 024  | 6.605.0087 | 2         | 1     | KIT N.3 GANCI C/MITI                                 | 0           | C |
| 025  | 3.403.0078 | 1         | 1     | INDICAT. LIVELLO GASOLIO L=185C/CAVO L=1300 C/FASTON | 0           | C |
| 026  | 3.200.0038 | 25        | 2     | DICHTUNG OR 53,65X2,62                               | 0           | C |
| 027  | 4.608.0184 | 7         | 2     | TAPPO CHIUSURA SEDE AVVOLG. NPX'04 NERO ESP.00       | 0           | C |
| 028  | 7.701.1134 | 1         | 1     | ADES.CAREN. NPX4 PRESP.100x421C                      | 0           | C |
| 029  | 7.700.0180 | 1         | 1     | LIBRET.ISTRUZ. NPX4 A5 132F 12L REV.03               | 0           | C |



**LAVORWASH**  
**SERVICE**

## ERSATZTEILLISTE

Code R56010227-2  
Beschreibung MOTOPOMPA LWT 400/50 2P 150  
H130 11.35'TS 6HP X NPX 1813

Anfangsdatum 10/10/2008  
Schlussdatum 1/1/3000  
Tafel E56010010/03

| Pos. | Code       | Menge pro | Menge. | Beschreibung   | Alternative | M | F |
|------|------------|-----------|--------|--|-------------|---|---|
| 001  | 4.608.0017 | 1         | 1      | SEMICHIOCCIOLA LATO POMPA GMVD.150 ESP.05                  | 6.605.0086  |   | 1 |
| 002  | 4.007.0080 | 5         | 1      | FESTE O-RING D25.5   |             | 0 | C |
| 002  | 4.608.0083 | 2         | 1      | LUFTRAD  |             | 0 | C |
| 003  | 3.002.0068 | 25        | 4      | SCHRAUBE   |             | 0 | C |
| 004  | 4.608.0129 | 2         | 1      | SEMICHIOCCIOLA LATO MOTORE 150-135 NPX esp.01              | 6.605.0086  |   | 1 |
| 005  | 3.002.0067 | 25        | 5      | VITE AUTOF. TC-TC 3,2X26 RAPIDFIX ZNT                      |             | 0 | C |
| 006  | 3.002.0060 | 25        | 1      | VITE AUTOF. TC-TC 3,9X16 RAPIDFIX ZNT                      |             | 0 | C |
| 007  | 4.608.0022 | 6         | 1      | LEVA PER FARFALLA DI REGOLAZ. GMV 150                      |             | 0 | C |
| 008  | 4.608.0021 | 6         | 1      | FARFALLA DI REGOLAZIONE PER GMV 150                        |             | 0 | C |
| 009  | 3.099.0012 | 9         | 1      | HF-W VERBINDUNGSSTUECK FUER PUMPE                          |             | 0 | C |
| 010  | 3.414.0010 | 1         | 1      | BOBINA 230/50Hz X POMPA GAS.DANFOSS(071N001000)            |             | 0 | C |
| 011  | 3.551.0037 | 1         | 1      | POMPA GASOLIO BITUBO DX 230/50(VERS.'06) BFA013L2 071N1221 |             | 0 | C |
| 012  | 3.100.0057 | 5         | 1      | RACCORDO D.4X1/8M COD E2001002                             |             | 0 | C |
| 013  | 4.607.0257 | 2         | 1      | RACCORDO PER VENTOLA NPX PER GIUNTO NERO ESP.00            |             | 0 | C |
| 014  | 4.607.0017 | 4         | 1      | PARATIA RAFFREDDAMENTO CASSA 130                           |             | 0 | C |
| 015  | 5.602.0003 | 1         | 1      | CARCASSA LW.T. 220-380/50 H.130 2P                         |             | 0 | C |
| 016  | 3.001.0010 | 4         | 1      | LAGER 6205-2Z (52X25X15)                                   |             | 0 | C |
| 017  | 5.605.0050 | 1         | 1      | ALBERO ROT.80X130 ALL.LW 6HP 2P CONICO X VENT.X AN.COMP.   |             | 0 | C |



Code R56010227-2  
 Beschreibung MOTOPOMPA LWT 400/50 2P 150  
 H130 11.35'TS 6HP X NPX 1813

Anfangsdatum 10/10/2008  
 Schlussdatum 1/1/3000  
 Tafel E56010010/03

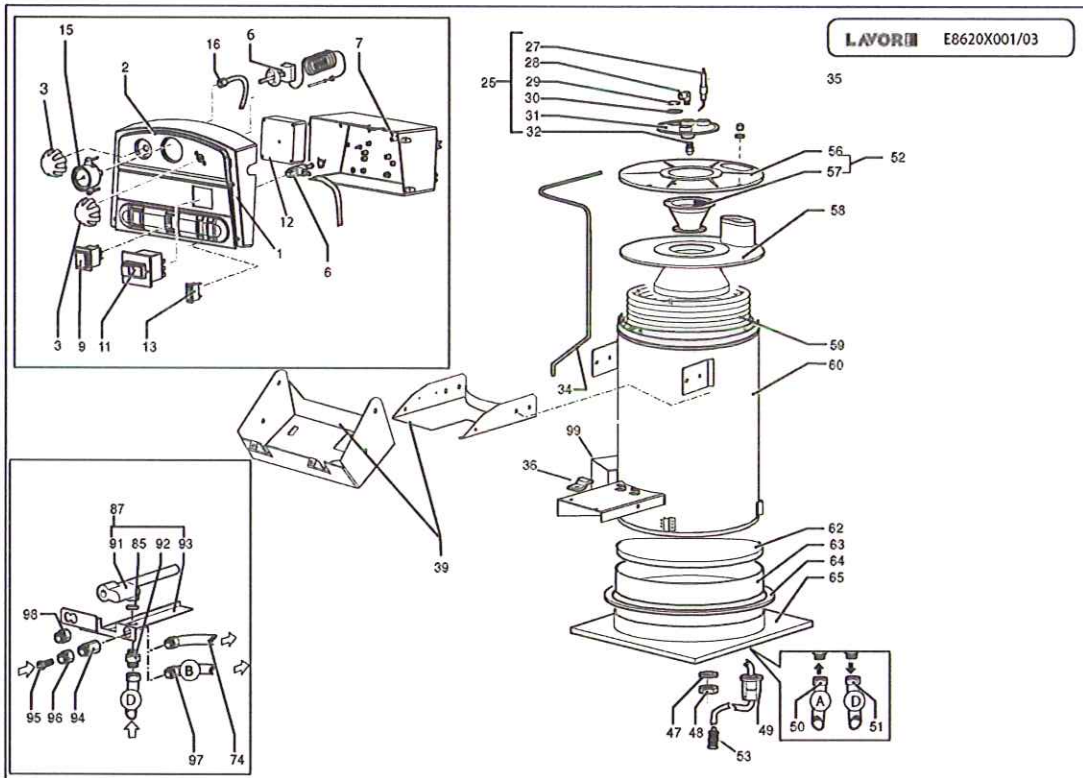
| Pos. | Code       | Menge pro | Menge e. | Beschreibung  | Alternative |   | M |
|------|------------|-----------|----------|---|-------------|---|---|
| 018  | 4.607.0008 | 7         | 4        | MOTORIZUGBOLZEN LW M6X163                                   |             | 0 | C |
| 019  | 4.605.0046 | 1         | 1        | FLANGIA MOTORE D.150 6HP ESP.01                             | 5.609.0123  |   | 2 |
| 020  | 3.201.0019 | 3         | 1        | ANELLO TENUTA OLIO D.25X40X7 DOPPIO LABBRO                  |             | 0 | C |
| 021  | 5.609.0123 | 2         | 1        | FLANGIA ANTERIORE MOTORE 150 XCORPO GUIDA BEST              |             | 0 | C |
| 022  | 3.200.0002 | 25        | 1        | O-RING DICHTUNG   |             | 0 | C |
| 023  | 3.001.0029 | 2         | 1        | CUSCINETTO OBLIQUO A SFERE 7305-BE (25X62X17)               |             | 0 | C |
| 024  | 4.605.0047 | 3         | 1        | PIATTELLO 11.35' X CUSCINETTOA SFERE ESP.00                 |             | 0 | C |
| 025  | 3.002.0003 | 25        | 1        | SCHRAUBE  |             | 0 | C |
| 026  | 4.607.0208 | 1         | 1        | CUSCINETTO ASSIALE A SFERE 30X73X18 X PIATTELLO S0610 ESP.0 |             | 0 | C |
| 027  | 5.009.0088 | 1         | 3        | ASSIEME ANELLO DI FERMO-PISTONE-FERMO MOLLA D.15            |             | 0 | C |
| 028  | 4.007.0011 | 17        | 3        | FEDER   |             | 0 | C |
| 029  | 3.004.0022 | 25        | 4        | SCHEIBE D.8X13 0,8 STAERKE                                  |             | 0 | C |
| 030  | 3.002.0032 | 25        | 4        | VITE TCEI M8X30 UNI 5931 ZNT                                |             | 0 | C |
| 031  | 3.002.0004 | 25        | 1        | SCHRAUBE  | 6.005.0320  |   | 2 |
| 032  | 3.099.0003 | 5         | 1        | OELSCHAUGLAS  | 6.005.0320  |   | 2 |
| 033  | 4.005.0184 | 1         | 1        | CORPO GUIDA BEST ALETTATO '01ESP.03                         |             | 0 | C |
| 034  | 3.099.0301 | 7         | 1        | TAPPO CARICO OLIO ZIGRIN.CON FORO PER                       |             | 0 | C |
| 035  | 5.009.0207 | 25        | 1        | VERSCHLUSS-GRUPPE   |             | 0 | C |
| 036  | 3.201.0002 | 5         | 3        | OELDICHTUNGSRING  |             | 0 | C |
| 037  | 3.200.0019 | 25        | 3        | O-RINGDICHTUNG 12,4X1,74                                    |             | 0 | C |
| 038  | 5.009.0346 | 6         | 3        | VALVOLA ASP/MAND. CON PIATT. ESEDE ACCIAIO ESP.01           | 6.005.0117  |   | 1 |
| 039  | 5.009.0101 | 5         | 2        | VENTIL VERSCHLUSSSCHRAUBE MITO-RING                         |             | 0 | C |
| 040  | 5.609.0064 | 3         | 1        | ASS.TAPPO VALV.ASP.MAND.CAPILL+OR                           |             | 0 | C |
| 041  | 3.099.0136 | 25        | 1        | ZYLINDRISCHER STECKER 2X12 UNI1707                          |             | 0 | C |
| 042  | 4.606.0093 | 2         | 1        | DRUCKREGLERKUGELGRIFF                                       | 4.606.0206  |   | 3 |
| 044  | 3.200.0046 | 25        | 1        | O-RING DICHTUNG 21,95X1,78                                  |             | 0 | C |
| 045  | 4.607.0207 | 4         | 1        | DRUCKREGLERFEDER L=3 7 FADEN D. 3,6 STAHL ESP.00            |             | 0 | C |
| 047  | 4.607.0206 | 11        | 1        | TELLER FÜR FEDER ESP. 02                                    |             | 0 | C |
| 048  | 5.609.0151 | 1         | 1        | ASSIEME ASTA TENUTA TEST. OTT'99 TS (RACCORDO +SEDE)        | 5.609.0205  |   | 1 |
| 049  | 5.609.0080 | 3         | 1        | GESAMTHEIT DICHTUNGSSITZ + OR                               |             | 0 | C |
| 050  | 3.106.0005 | 1         | 1        | SICHERHEITSVENTIL MG 1000 250BAR 1/4 M (00033001)           |             | 0 | C |
| 051  | 4.607.0263 | 1         | 1        | DREHBARER ANSCHLUSS 3/8 F-3/8M 1/4 F X SICHERHEITSVENTIL    |             | 0 | C |
| 052  | 5.609.0079 | 2         | 1        | MENGE AUSGANGSANSCHLUSS MESSINGZYLINDERK 99 D.2,1+OR        |             | 0 | C |
| 053  | 4.607.0259 | 21        | 1        | RÜCKSCHLAGVENTILFEDER D 4,8X5                               |             | 0 | C |
| 054  | 5.609.0041 | 4         | 1        | VENTIL  |             | 0 | C |
| 055  | 4.606.0085 | 1         | 1        | TESTATA OTTONE '99 ESP.10                                   |             | 0 | C |
| 056  | 4.606.0001 | 6         | 2        | TAPPO T.E. 1/4 GAS ESP.01                                   |             | 0 | C |
| 057  | 3.002.0078 | 25        | 4        | SCHRAUBE M8X40  |             | 0 | C |
| 059  | 5.609.0158 | 4         | 1        | ASSIEME RACCORDO 1/8 G C/TAPPOM7 TS TEST.OTT.'99            |             | 0 | C |
| 060  | 5.609.0107 | 1         | 1        | ASSIEME SCATOLA +MICRO+CAVO 3X1 TAPPO FORATO                |             | 0 | C |
| 065  | 3.704.0005 | 1         | 1        | PRESSOST.PR5 45BAR 1/4 L.750 F.29008065                     |             | 0 | C |
| 069  | 4.608.0105 | 15        | 3        | DISTANZIALE VALVOLA PER TESTATA OTTONE '99 ESP.01           |             | 0 | C |
| 070  | 3.201.0018 | 3         | 3        | ANELLO TENUTA ACQUA 15X24X5 W11515Q5023 (TENUTE TELATE      |             | 0 | C |

# ERSATZTEILLISTE

Code R56010227-2  
Beschreibung MOTOPOMPA LWT 400/50 2P 150  
H130 11.35'TS 6HP X NPX 1813

Anfangsdatum 10/10/2008  
Schlussdatum 1/1/3000  
Tafel E56010010/03

| Pos. | Code       | Menge pro | Menge | Beschreibung   | Alternative | M |   |
|------|------------|-----------|-------|--|-------------|---|---|
|      |            |           | e.    |  |             | F |   |
| 071  | 4.608.0106 | 16        | 3     | ANELLO ANTIESTR. (X TENUTE 15x24x5) X TEST.OTT'99 ESP.04   |             | 0 | C |
| 072  | 3.200.0003 | 25        | 3     | O-RINGDICHTUNG 25,12X1,78                                  |             | 0 | C |
| 073  | 4.606.0040 | 4         | 3     | MESSINGSCHLEIBE  |             | 0 | C |
| 074  | 3.201.0003 | 8         | 3     | DICHTRING  |             | 0 | C |
| 075  | 4.606.0041 | 4         | 3     | SCHLEIBE   |             | 0 | C |
| 076  | 4.008.0391 | 25        | 3     | OELDICHTUNG-ABSTANDSHALTER                                 |             | 0 | C |
| 077  | 3.200.0004 | 25        | 3     | O-RING DICHTUNG 12,4X1,78                                  |             | 0 | C |
| 078  | 5.009.0561 | 25        | 1     | PORTAGOMMA ASPIRAZ.DETERG.D.1C/ALLOGGIAM.MOLLA             | 5.609.0154  |   | 7 |
| 079  | 3.005.0001 | 25        | 1     | KUGEL INOX   |             | 0 | C |
| 080  | 4.007.0323 | 8         | 1     | MOLLA VALV.RIT.DETERG.De4,5-7L=7 FILO D.0,3 INOX ESP.00    |             | 0 | C |
| 081  | 5.606.0068 | 1         | 1     | MOTORE LWT 400/50 D.150 H130 2P 6HP X PIATT.(X NPX) ESP.00 |             | 0 | C |
| 082  | 5.007.0063 | 1         | 1     | CORPO GUIDA PIST.D.15 CER.BESTC/ALETT. C/SPIA              | 5.007.0098  |   | 1 |
| 083  | 5.008.0145 | 1         | 1     | TESTATA OTT.'99 INIET.D.2 TS XIDRO A CALDO                 |             | 0 | C |
| 086  | 3.406.0020 | 21        | 1     | KABELPRESSE DICHT REISSFEST                                |             | 0 | C |



**LAVORWASH**  
**SERVICE**

## ERSATZTEILLISTE

Code R8620X017-1

Anfangsdatum 10/10/2008

Beschreibung BOILER

Schlussdatum 1/1/3000

Tafel E8620X001-03

| Pos. | Code       | Menge pro | Menge. | Beschreibung  | Alternative | M | F |
|------|------------|-----------|--------|---|-------------|---|---|
| 001  | 4.608.0191 | 4         | 1      | CORNICE CRUSCOTTO NPX'04 NERAESP.00                       | 0           |   | C |
| 002  | 4.608.0205 | 2         | 1      | CRUSCOTTO NPX4/LKX4 TRIFASE -GR- C/TAMPOGR.               | 0           |   | C |
| 003  | 4.608.0164 | 5         | 2      | MANOPOLA REGOLAZIONE TERMOST.PARANA' ESP.00               | 0           |   | C |
| 005  | 3.403.0091 | 1         | 1      | TERMOSTATO 30/150 BULBO D. 6,5(3 FASTON CHIUSI) ESP.02    | 0           |   | C |
| 006  | 3.105.0003 | 2         | 1      | DOSIERVENTIL  | 0           |   | C |
| 007  | 4.608.0168 | 2         | 1      | SCATOLA ELETTRICA NPX4/LKX4/T4ESP.02                      | 0           |   | C |
| 011  | 3.401.0063 | 1         | 1      | MIKROAUFTRENNER ETA 3140-F230                             | 0           |   | C |
| 012  | 3.402.0026 | 1         | 1      | TELERUTTORE TLR4FC  | 0           |   | C |
| 013  | 3.499.0129 | 6         | 1      | SPIA TIPO 81F 220V CORPO NEROGEMMA ROSSA                  | 0           |   | C |
| 015  | 3.107.0004 | 1         | 1      | HF-W MANOMETER  | 0           |   | C |
| 016  | 4.618.0003 | 2         | 1      | TUBO MANOMETRO 2X630 max630bar1/4 F/GIR-1/4 F/GIR         | 0           |   | C |
| 025  | 5.611.0162 | 1         | 1      | FLANGIA BRUCIAT.COMPL. 1,00-60A C/ATT.X RILSAN            | 0           |   | C |
| 027  | 4.614.0004 | 1         | 1      | COPPIA ELETTRODI UNIFICATI PROFESS. C/STAFFA ESP.07       | 0           |   | C |
| 028  | 3.100.0075 | 3         | 1      | RACCORDO M 1/8 CONICO F D.4 CURVO COD.E2004002 REF.804    | 0           |   | C |
| 029  | 3.099.0015 | 25        | 1      | SEEGERRING D.21   | 0           |   | C |
| 030  | 4.608.0002 | 4         | 1      | FENSTER   | 0           |   | C |
| 031  | 4.605.0001 | 2         | 1      | BRENNER-FLANSCH   | 0           |   | C |
| 032  | 3.104.0003 | 2         | 1      | UGELLO GASOLIO 1.00 60/H                                  | 0           |   | C |
| 034  | 4.608.0145 | 6         | 1      | TUBO MANDATA GASOLIO RILSAN PARANA' L=540 ESP.01          | 0           |   | C |
| 035  | 5.609.0126 | 1         | 1      | TRASF. ACC.220-240V 50/60Hz S/CAV. C/PIPET.NPX-LKX ESP.02 | 0           |   | C |



Code R8620X017-1  
 Beschreibung BOILER

Anfangsdatum 10/10/2008  
 Schlussdatum 1/1/3000  
 Tafel E8620X001-03

| Pos. | Code       | Menge pro | Menge | Beschreibung   | Alternative | M | F |
|------|------------|-----------|-------|--|-------------|---|---|
| 036  | 4.607.0072 | 5         | 1     | STAFFA FISSAGGIO MOTORE                              | 0           |   | C |
| 039  | 5.613.0192 | 1         | 1     | LAMIERA SUPP.CRUSCOTTO/MANICINPX/LKX'04 ESP.03       | 0           |   | C |
| 047  | 3.004.0015 | 11        | 2     | FLACHE SCHEIBE D.22X39                               | 0           |   | C |
| 048  | 4.606.0013 | 4         | 2     | MUTTER 1/2 MESSING                                   | 0           |   | C |
| 049  | 5.611.0067 | 3         | 1     | DIESELÖLFILTERGRUPPE TEKNA '95 ESP. 01               | 0           |   | C |
| 050  | 4.618.0035 | 2         | 1     | ROHR R1 1/2F 3/8F                                    | 0           |   | C |
| 051  | 4.618.0043 | 2         | 1     | ROHR R1 3/8 L=375                                    | 0           |   | C |
| 052  | 5.611.0012 | 1         | 1     | AUSSENDECKEL   | 0           |   | C |
| 053  | 3.102.0005 | 5         | 1     | FILTRO GASOLIO FB15/P                                | 0           |   | C |
| 056  | 5.613.0147 | 1         | 1     | COPERCHIO ESTERNO CALDAIA INOX AISI 430 ESP.02       | 0           |   | C |
| 057  | 5.610.0105 | 3         | 1     | DEFLETTORE CON CONO D.82 C/FORI                      | 0           |   | C |
| 058  | 5.613.0028 | 1         | 1     | DECKEL INT. CAM. COMB. KAMON LL=120                  | 0           |   | C |
| 059  | 4.604.0027 | 1         | 1     | SERPENTINA TOP2 H.360 (F.E. 35.2 ) ESP.01            | 0           |   | C |
| 060  | 5.613.0274 | 1         | 1     | CORPO CALDAIA NPX'04 VERNICIATO X FASCIA ESP.00      | 0           |   | C |
| 062  | 4.608.0116 | 1         | 1     | REFRATTARIO CEMENTATO D.290X20PER CALDAIA ESP.02     | 0           |   | C |
| 063  | 4.607.0006 | 1         | 1     | SCHLANGESCHELLE 15/10                                | 0           |   | C |
| 064  | 4.608.0162 | 1         | 1     | CORDA ISOLANTE X BASE CALDAIA L=990 ESP.00           | 0           |   | C |
| 065  | 5.613.0116 | 1         | 1     | GRUNDFLAECHE JOLLY                                   | 0           |   | C |
| 074  | 4.618.0030 | 3         | 1     | ROHR D.20X10 3/8M.-3/8M. L.450                       | 0           |   | C |
| 085  | 3.004.0004 | 25        | 1     | ALUMINIUM SCHEIBE 21X30X1,5                          | 0           |   | C |
| 087  | 5.609.0128 | 1         | 1     | ASSIEME CORPO BULBO TERMOST. LKX/NPX'04 USC.INN.RAP. | 0           |   | C |
| 091  | 4.606.0087 | 1         | 1     | CORPO BULBO TERMOST. PROFESS.ESP.04                  | 0           |   | C |
| 092  | 3.100.0020 | 5         | 1     | MUTTER 1/2-3/8                                       | 0           |   | C |
| 093  | 5.613.0191 | 1         | 1     | SUPPORTO BULBO TERMOSTATO/AVV.NPX/LKX'04 ESP.02      | 5.613.0282  |   | 1 |
| 094  | 4.606.0019 | 2         | 1     | ANSAUGVERBINDUNG M22                                 | 0           |   | C |
| 095  | 4.008.0031 | 25        | 1     | FILTERSIEB DM16 H20                                  | 0           |   | C |
| 096  | 4.006.0088 | 3         | 1     | SAUGANSCHLUSS HD523/HD540 M22X1,5                    | 0           |   | C |
| 098  | 3.100.0018 | 3         | 1     | ANSCHLUSSNIPPEL                                      | 0           |   | C |
| 099  | 4.608.0023 | 3         | 1     | MANICOTTO IN GOMMA CHIOCCIOLA JOLLY 4                | 0           |   | C |