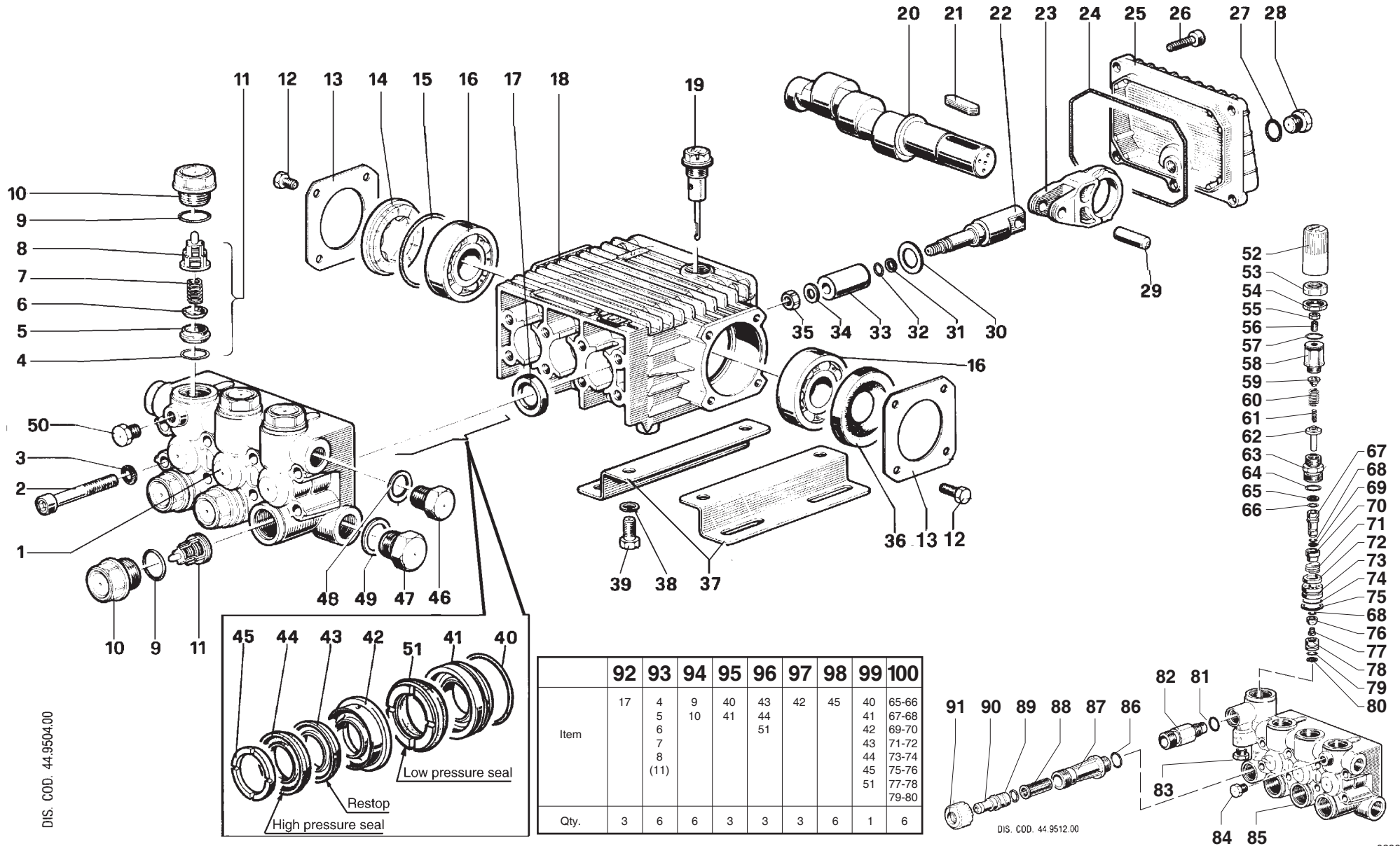


Exploded drawing E3500006/01

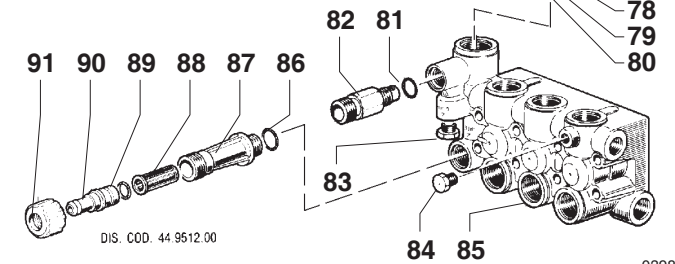
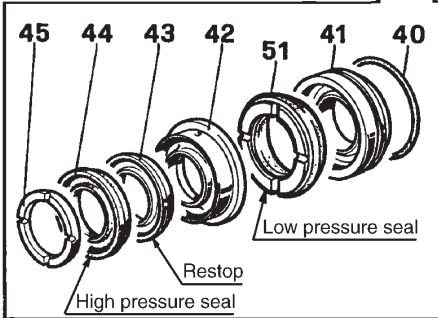
by LAVORWASH



DIS. COD. 44.9504.00

DIS. COD. 44.9512.00

	92	93	94	95	96	97	98	99	100
Item	17	4 5 6 7 8 (11)	9 10	40 41	43 44 51	42	45	40 41 42 43 44 45 51	65-66 67-68 69-70 71-72 73-74 75-76 77-78 79-80
Qty.	3	6	6	3	3	3	6	1	6



LISTA RICAMBI

CODICE: 8.606.0198

REV.: 1

DESCRIZIONE:

TEKNA 1514 T'97 230/400-50 -R- EUROMAC

DATA INIZIO VAL.: 01/01/1999

DATA FINE VAL.: 01/01/3000

CODICE GRUPPO: R35000030

REV.: 1

DESCRIZIONE:

POMPA *W 154 SX

DATA INIZIO VAL.: 01/01/1998

DATA FINE VAL.: 01/01/3000

N. TAVOLA: E35000006/01

CODICE:	DESCRIZIONE:	QTA':	POS:	ORD	EXTR.
3.502.0226	PMP HEAD	1	01		
3.502.0487	SCREW M8X60 UNI5931 *99317500	8	02		
3.502.0291	WASHER D.8,4X13X0,8 *96701400	8	03		
3.502.0511	O-RING 17,13X2,62 *90384100	6	04		
3.502.0523	DELIVERY-SUCTION VALVE SEAT *36200366	6	05		
3.502.0521	DELIVERY-SUCTION VALVE *36200176	6	06		
3.502.0522	SPRING D.9,4X15 INOX *94737600	6	07		
3.502.0200	SUCTION OUTLET VALVE GUIDE	6	08		
3.502.0459	O-RING 20,24X2,62 *90384700	6	09		
3.502.0179	PLUG M24X1,5X17	6	10		
3.502.0101	DELIVERY/SUCTION VALVE ASS. *3 6711501	6	11		
3.502.0292	SCREW M6X10	8	12		
3.502.0527	SIDE CRANKCASE COVER *50150074	2	13		
3.502.0194	OIL LEVEL SPACER	1	14		
3.502.0481	OR GASKET 55,56X3,53 *90409700	1	15		
3.502.0536	BALL BEARING 6305 *9183 2800	2	16		
3.502.0069	RADIAL RING D.20X30X5	3	17		
3.502.0195	PUMP CRANKCASE	1	18		
3.502.0504	OIL DIPSTICK WITH ROD *98210300	1	19		
3.502.0177	SHAFT	1	20		
3.502.0193	CLAPPER VALVE	1	21		
3.502.0150	PISTON GUIDE	3	22		
3.502.0178	CONNECTING ROAD	3	23		
3.502.0228	O-RING 101,27X2,62	1	24		
3.502.0227	REAR CRANKCASE COVER	1	25		
3.502.0293	SCREW M6X14	5	26		
3.502.0384	O-RING 10,82X1,78	1	27		
3.502.0525	CAP G.1/4X9 BRASS 98204100	1	28		
3.502.0182	PISTON PIN	3	29		
3.502.0209	LANCE HEAD D.16X28X1	3	30		
3.502.0497	ANTIEXTRISION RING	3	31		
3.502.0496	GASKET OR 5.28X1.78	3	32		
3.502.0155	PISTON D.18	3	33		
3.502.0077	LANCE HEAD 8X13X1	3	34		
3.502.0494	NUT M8X13X5	3	35		
3.502.0199	RADIAL RING D.25X62X10	1	36		
3.502.0479	W98 FOOT *50200074	2	37		
3.502.0294	LANCE HEAD D.4,4	4	38		
3.502.0498	SCREW M8X16 - 5739 *99303700	4	39		
3.502.0068	O-RING 31,47X1,78	3	40		
3.502.0139	REAR O-RING DIAM.18 *44080170	3	41		
3.502.0151	MIDDLE O-RING *44216170	3	42		
3.502.0152	RESTOP O-RING *90268300	3	43		
3.502.0153	SEALING O-RING *90268200	3	44		
3.502.0154	HEAD O-RING *44100151	3	45		

LISTA RICAMBI

CODICE: 8.606.0198

REV.: 1

DESCRIZIONE:

TEKNA 1514 T'97 230/400-50 -R- EUROMAC

DATA INIZIO VAL.: 01/01/1999

DATA FINE VAL.: 01/01/3000

CODICE GRUPPO: R35000030

REV.: 1

DESCRIZIONE:

POMPA *W 154 SX

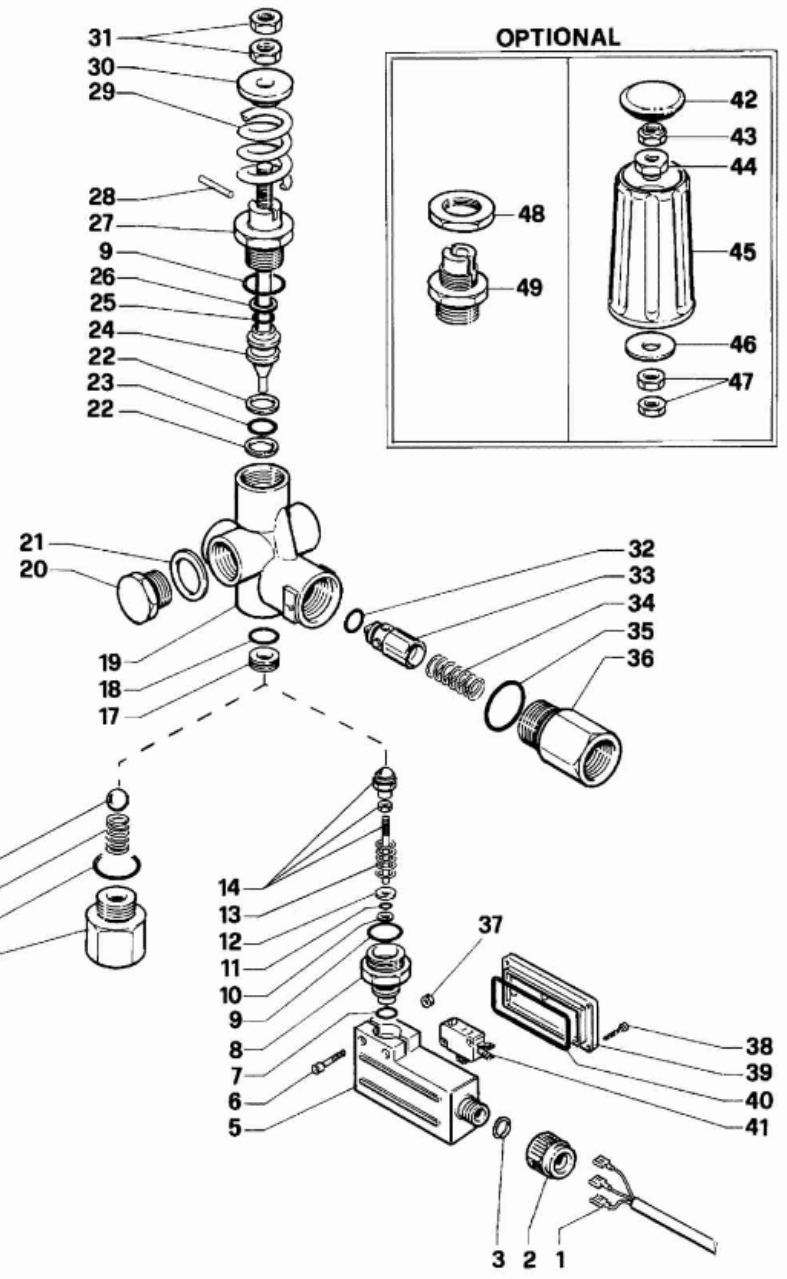
DATA INIZIO VAL.: 01/01/1998

DATA FINE VAL.: 01/01/3000

N. TAVOLA: E35000006/01

CODICE:	DESCRIZIONE:	QTA':	POS:	ORD	EXTR.
3.502.0183	CAP G3/8X13 BRASS 98210000	1	46		
3.502.0519	CAP G.1/2X10 BRASS 98217600	1	47		
3.502.0518	WASHER D.17.5X23X1.5 96738000	1	48		
3.502.0501	WASHER D.21.5X27X1.5 96751400	1	49		
3.502.0210	PLUG	1	50		
3.502.0330	SEAL D.18	3	51		
3.502.0044	KIT 23	1	92		
3.502.0105	KIT 123	1	93		
3.502.0146	KIT 124	1	94		
3.502.0174	KIT 126	1	95		
3.502.0173	KIT 127	1	96		
3.502.0451	KIT 128	1	97		
3.502.0172	KIT 129	1	98		
3.502.0231	KIT 131	3	99		

Exploded drawing cod. E37030001/01



54	Item	17	18	22	23	25	26	32	35	51	53
	Qty.	1x5	1x5	2x5	1x5	1x5	1x5	1x5	1x5	2x5	1x5

55	Item	3	7	9	10	11	14	17	18	22	23	25	26	32	35	40
	Qty.	1x5	1x5	2x5	1x5	1x5	1x5	1x5	1x5	2x5	1x5	1x5	1x5	1x5	1x5	1x5

LISTA RICAMBI

CODICE: 8.606.0198 REV.: 1 DESCRIZIONE: TEKNA 1514 T'97 230/400-50 -R- EUROMAC

DATA INIZIO VAL.: 01/01/1999 DATA FINE VAL.: 01/01/3000

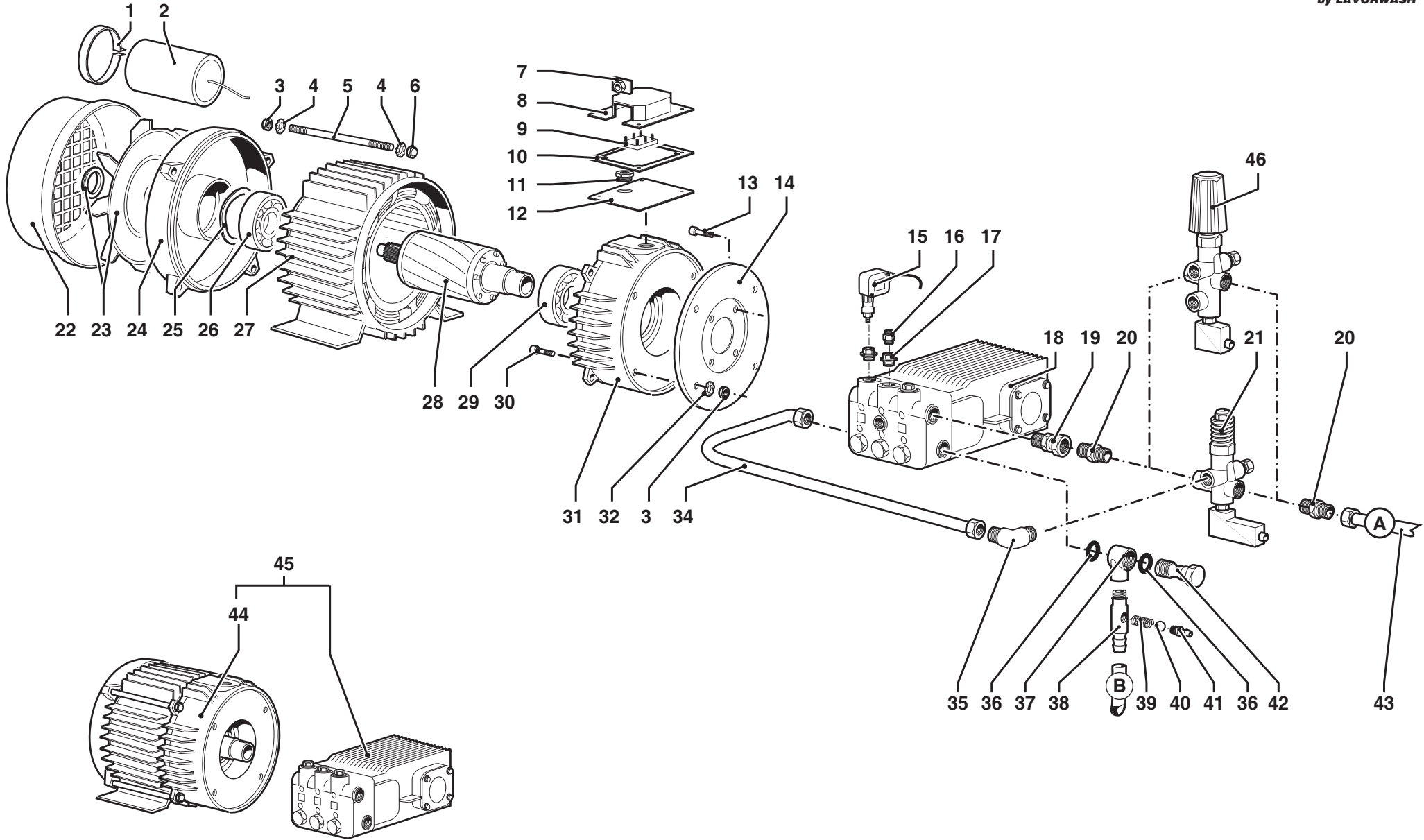
CODICE GRUPPO: R37030004 REV.: 1 DESCRIZIONE: VALV.PULSAR 3 SENZA MICRO E MA N.60000060

DATA INIZIO VAL.: 01/01/1999 DATA FINE VAL.: 01/01/3000 N. TAVOLA: E37030001/01

CODICE:	DESCRIZIONE:	QTA':	POS:	ORD	EXTR.
3.749.0121	O-RING 1,78X11,11	1	17		
3.749.0059	SEAT D. 7 MM 30001151	1	18		
3.749.0052	PULSAR3 VALVE BODY 60005135	1	19		
3.749.0174	3/8 CAP (REF.KIT 3.749.0120)	1	20		
3.749.0120	PLUG	1	20		
3.749.0119	WASHER D. 16,7	1	21		
3.749.0160	ANTIEXTRUSION RING 15.9X11.5 (25 PCS) 104021001	1	22		
3.749.0162	OR GASKET 2.62X10.77 (25 PCS) 103175001	1	23		
3.749.0214	INOX PISTON (PULSAR VALVE) REF KIT 3.749.0045	1	24		
3.749.0165	OR GASKET 2.62X7.6 (25 PCS) 103170001	1	25		
3.749.0166	ANTIEXTRUSION RING 12.6X8 (25 PCS) 104020001	1	26		
3.749.0176	HOLDING COUPLING (REF.KIT. 3.749.0085)	1	27		
3.749.0085	ROD GUIDE	1	27		
3.749.0086	ROD GUIDE	1	28		
3.749.0117	SPRING 5,7 MM 220 BAR	1	29		
3.749.0108	KIT FOR BLU SPRINGS	1	29		
3.749.0116	SPRING HOLDER	1	30		
3.003.0008	NUT M8 UNI 5588 CL8 ZNT	2	31		
3.749.0168	O-RING 3X6mm (25 pcs)	1	32		
3.749.0169	PULSAR NON RETURN VALVE PIN (25 PCS) 600052311	1	33		
3.749.0047	INOX SPRING	1	34		
3.749.0063	O-RING 1,78X18,77	1	35		
3.749.0177	NIPPLE 3/8 G-3/8 F (REF KIT 3.749.0114)	1	36		
3.749.0114	NIPPLE	1	36		
3.749.0068	COVER 60000284	1	42		
3.749.0071	NUT	1	43		
3.749.0066	INSERT	1	44		
3.749.0131	KNOB	1	45		
3.749.0065	WASHER	1	46		
3.749.0171	BRASS M8 NUT(25PCS) 114573311	1	47		
3.749.0132	BUSH	1	48		
3.749.0067	ROD GUIDE G3/8 60018531	1	49		
3.749.0181	SUCTION JOINT PULSAR W/O MICRO (RIF. KIT 3.749.0180)	1	50		
3.749.0180	SUCTION JOINT PULSAR W/O MICRO (60002431)	1	50		
3.749.0163	O-RING 1,78X17,17 (25pcs)	1	51		
3.749.0044	SPRING 1.44 MM INOX	1	52		
3.749.0057	BALL 11/32 INOX (147443101 conf.25 pz)	1	53		
3.749.0043	SPARE KIT PULSAR VALVE 3 60 000524	1	54		

Exploded drawing E56010009/01

by LAVORWASH



LISTA RICAMBI

CODICE: 8.606.0198

REV.: 1

DESCRIZIONE: TEKNA 1514 T'97 230/400-50 -R- EUROMAC

DATA INIZIO VAL.: 01/01/1999

DATA FINE VAL.: 01/01/3000

CODICE GRUPPO: R56010065

REV.: 1

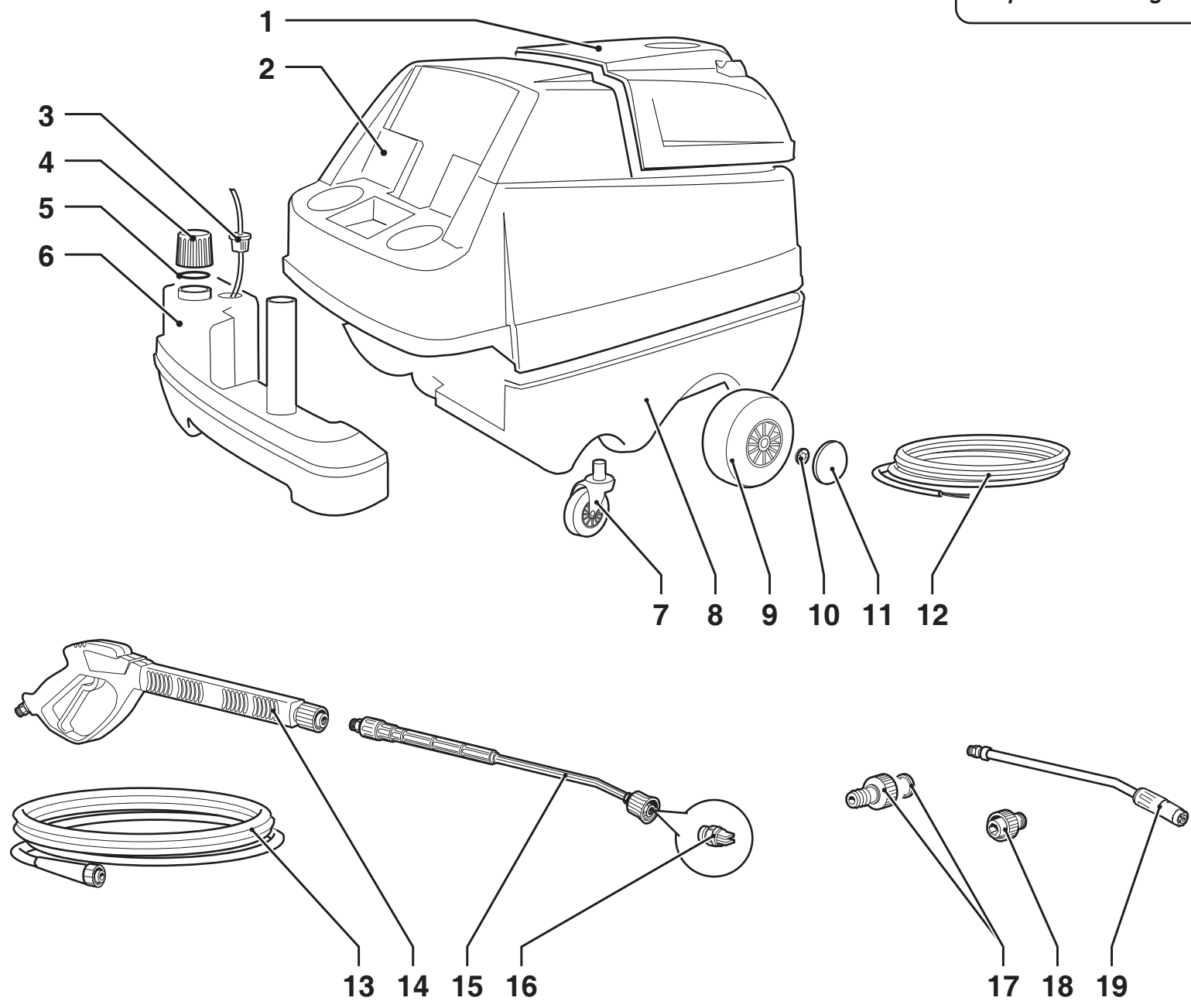
DESCRIZIONE: MOTOPOMPA LWT 400/50 HP 5,5 4P W154

DATA INIZIO VAL.: 01/01/1999

DATA FINE VAL.: 02/26/2001

N. TAVOLA: E56010009/01

CODICE:	DESCRIZIONE:	QTA':	POS:	ORD	EXTR.
5.601.0065	MOTORPUMP LWT 400/50 HP 5,5 4P W154	1	00		
5.601.0070	LWM 230/50 4P KW.3 LW3025	1	00		
3.003.0007	EXAGONAL NUT M6 MEDIA UNI 5588 CL10 ZNT	8	03		
3.004.0010	WASHER D6X11 Sp0,7 DIN6798A ZN T	8	04		
4.607.0008	TIE ROD MOTOR LW M6X160	4	05		
3.003.0019	NUT	4	06		
3.406.0012	CABLE HOLDER PLATE	1	07		
3.410.0008	TERMINAL BOX COVER	1	08		
3.405.0005	TERMINAL BOX	1	09		
3.299.0004	GASKET	1	10		
4.606.0081	MOTOR CHOCK DIAM.150 H 14	1	11		
4.607.0019	PLATE FOR TERMINAL BOX HOLDER	1	12		
3.002.0131	SCREW TSPEI M8X16 CL.10,9 UNI5933 ZNT	4	13		
4.607.0010	MOTOR PUMP COUPLING FLANGE	1	14		
3.704.0005	AIR PRESSURE SWITCH PR5 45BAR 1/4 L.650	1	15		
3.100.0021	NIPPLE 1/4M. - 1/4M.	1	16		
3.502.0006	CAP M24X2X16 * BORED	1	17		
3.500.0030	PUMP *W 154 SX	1	18		
3.100.0014	REVOLVING NIPPLE 3/8M. 3/8F.	1	19		
3.100.0023	NIPPLE 3/8 CIL. SV. 3/8 CIL. SV	2	20		
3.703.0004	PULSAR 3 VALVE W/O MICRO & MAN .60000060	1	21		
4.607.0082	FAN COVER	1	22		
3.099.0018	FAN WITH HOLDER	1	23		
4.605.0004	PASTERIOR CALOTTE MOTOR LW.V D .150	1	24		
3.099.0017	UNLOADING RING D.51XD.42	1	25		
3.001.0010	BEARING 6205-2Z	1	26		
5.602.0019	CASE LWT 230-400/50 H.135 4 (WITH HOLES)	1	27		
5.605.0022	ROTOR SHAFT 90X135 ALL.LW FOR MOT.HP 5,5 4P	1	28		
3.001.0009	BEARING 6007-2Z	1	29		
3.002.0050	HEXAGON HEAD SCREW M6X25 UNI 5739 ZNT M6X25 UNI 5739 ZNT	4	30		
4.605.0003	ANTERIOR CALOTTE MOTOR LW D. 1 50	1	31		
3.004.0035	WASHER GROWER D.6 UNI1751 ZNT	4	32		
3.704.0006	PRESSURE SWITCH 25BAR 1/8 L=700 FASTON F.	1	33		
4.618.0015	3/8 HOSE 20 BAR TG380 B1011 1/2 B1031 3/8	1	34		
3.100.0041	COUPLING 3/8MSV-3/8MSV 12200600	1	35		
3.200.0027	O-RING 20,24 X 2,62 RIF.3081	2	36		
4.605.0029	COUPLING 3/8F	1	37		
4.606.0038	ADJUSTING SCREW FOR SAFETY VALVE	1	38		
4.607.0190	DETERGENT CONNECTION SPRING	1	39		
3.005.0001	BALL INOX 420 DIAM.5 DEGREE OF ACCURACY G 500	1	40		
5.009.0164	DETERG.INJECT.HOSE FITTING	1	41		
4.607.0053	SUCTION HOLED CONNECTION 1/2	1	42		
4.618.0002	PUMP COIL TUBE R1 TG.790	1	43		



LISTA RICAMBI

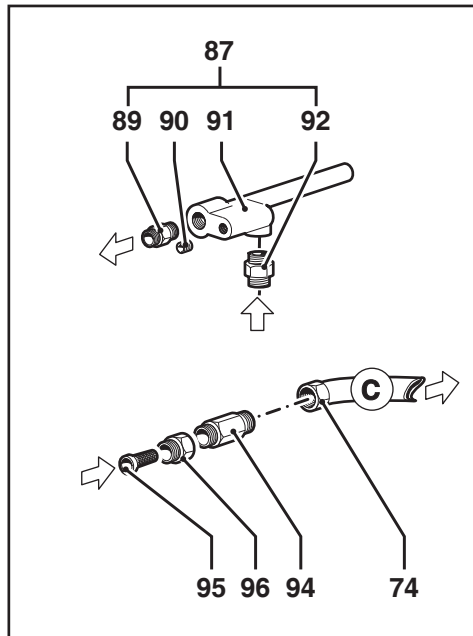
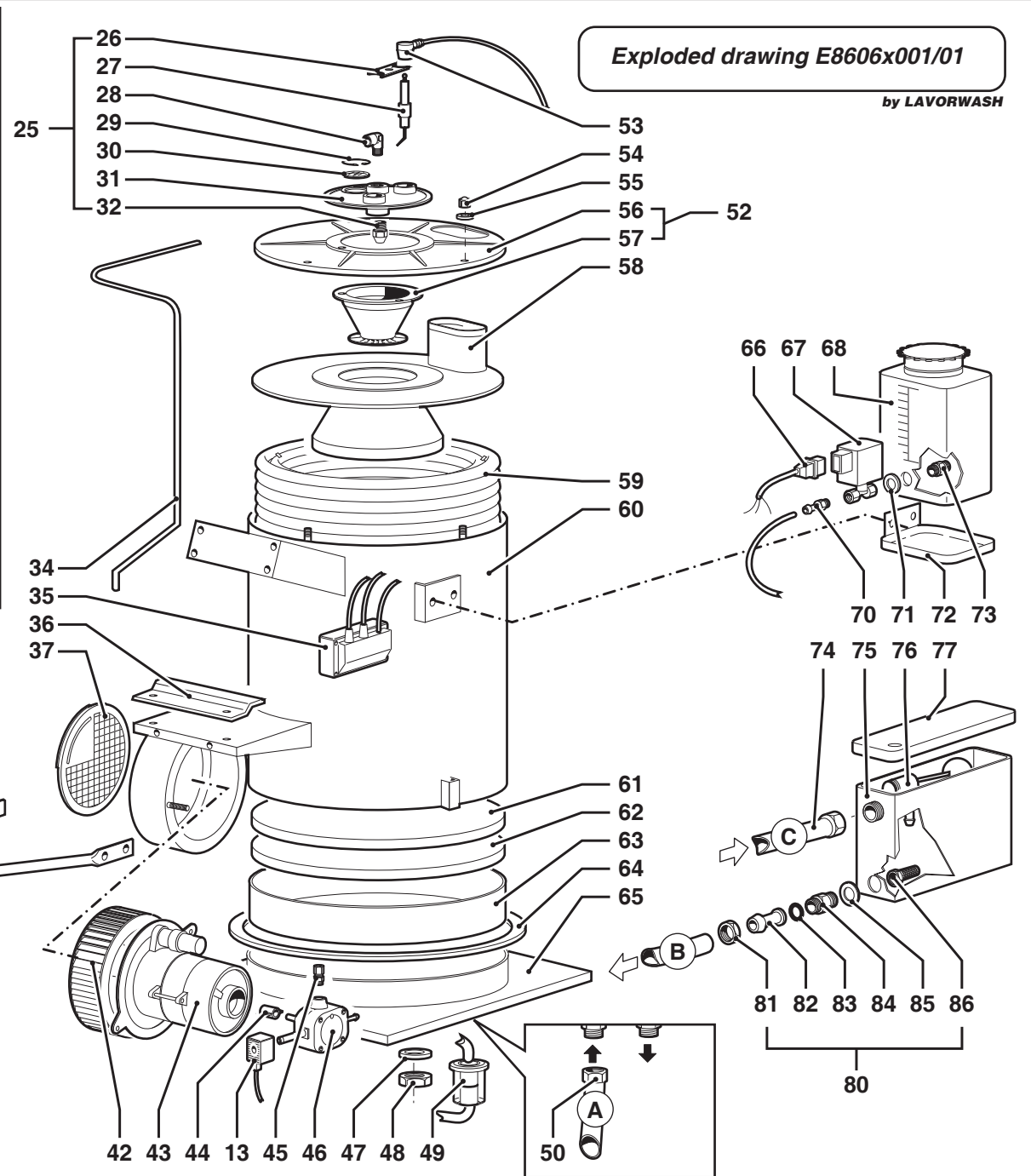
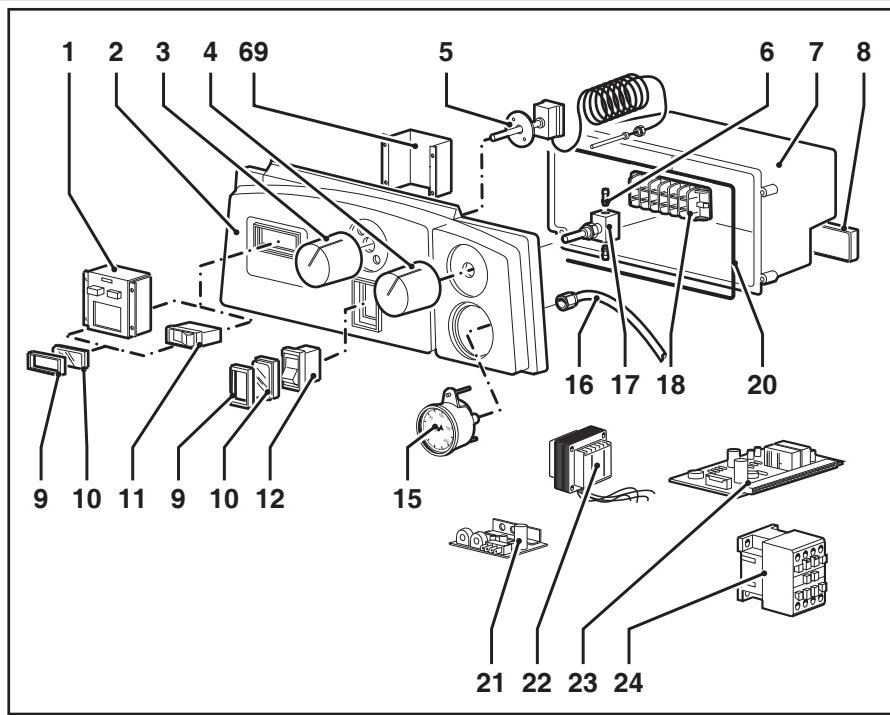
CODICE: 8.606.0198 REV.: 1 DESCRIZIONE: TEKNA 1514 T'97 230/400-50 -R- EUROMAC

DATA INIZIO VAL.: 01/01/1999 DATA FINE VAL.: 01/01/3000

CODICE GRUPPO: R86060198 REV.: 1 DESCRIZIONE: TEKNA 1514 T'97 230/400-50 -R- EUROMAC

DATA INIZIO VAL.: 01/01/1999 DATA FINE VAL.: 01/01/3000 N. TAVOLA: E8606C001/01

CODICE:	DESCRIZIONE:	QTA':	POS:	ORD	EXTR.
4.613.0120	BLACK INSPECTION CONTAINER	1	01		
4.613.0109	UPPER COVER TEKNA'95 RED	1	02		
5.611.0067	TEKNA '95 GAS OIL FILTER UNIT	1	03		
4.608.0082	GAS OIL-CHEM TANK CAP	2	04		
3.200.0038	O-RING GASKET 53,65X2,62 REF.3 212	2	05		
4.608.0026	GAS OIL TANK AND TEKNA '95 DET ERGENT	1	06		
3.006.0025	WHEEL D.125 WITH THREADED SHAF T+BRAKE	2	07		
4.613.0106	BLACK LOWER PLASTIC COVER	1	08		
3.006.0026	WHEEL D.260X85 BLACK	2	09		
3.099.0019	BLOCK WHEEL D.250x55 D.20	2	10		
3.099.0096	WHEEL COVER	2	11		
4.612.0031	FEEDING CABLE H05PVC 4X1,5 L=5000	1	12		
4.618.0012	HOSE 310BAR MT. 10	1	13		
3.700.0004	GUN WITH EXTENTION-QUICK CONNE CTION M22	1	14		
3.701.0014	LANCE L.700+PL4/1 + PROTECT.+ M22 CONNECTION 40517550	1	15		
3.103.0003	HIGH PRESSURE NOZZLE 1/8M 15045	1	16		
4.606.0020	SUCTION HOSE FITTING OT D.17	1	17		
3.100.0043	3/8 M ROTATING QUICK COUPLING	1	18		



LISTA RICAMBI

CODICE: 8.606.0198

REV.: 1

DESCRIZIONE: TEKNA 1514 T'97 230/400-50 -R- EUROMAC

DATA INIZIO VAL.: 01/01/1999

DATA FINE VAL.: 01/01/3000

CODICE GRUPPO: R8606X104

REV.: 1

DESCRIZIONE: TEKNA 1514 T'97 230/400-50 BAS E DA FINIRE

DATA INIZIO VAL.: 01/01/1999

DATA FINE VAL.: 01/01/3000

N. TAVOLA: E8606X001/01

CODICE:	DESCRIZIONE:	QTA':	POS:	ORD	EXTR.
3.401.0049	THERMAL SWITCH MS 25 10/16 AMP -4006111101-	1	01		
4.608.0079	DASHBOARD '93 WITH COMPLETE SI LKSCREEN	1	02		
4.608.0019	BLACK THERMOSTATE KNOB 3079/1	1	03		
4.608.0018	BLACK COCK KNOB 3081/1	1	04		
3.403.0001	THERMOSTAT 30/150 BULB 6,5	1	05		
4.606.0004	HOSE HOLDER D.7 1/8 MALE	1	06		
4.608.0065	BOX DASHBOARD '93	1	07		
4.608.0071	GUIDING CABLE COVER DASHBOARD D '93	1	08		
4.008.0122	SWITCH SEALING SURROUND	2	09		
4.008.0121	TIN SWITCH COVER	2	10		
3.401.0038	DOUBLE-POLE SWITCH	1	12		
3.414.0008	SOLENOID VALVE 230/50	1	13		
4.607.0110	MOTOR CLAMP	1	14		
3.107.0004	PRESS.GAUGE DIAM.50 0/250 1/4 REAR+CLAMP	1	15		
4.618.0014	PRESSURE GAUGE TUBE DN 2X330TG	1	16		
3.105.0002	DETERG. REGULATOR COCK 1/8 F.F. + NUT	1	17		
3.405.0023	JUNCTION BOX	1	18		
4.608.0078	GASKET	1	20		
5.611.0004	BURNER FLANGE 1,50-60	1	25		
4.607.0001	GLOW PLUG RESTANT PLATE 15X32	1	26		
4.614.0001	ELECTRODE O772589000	2	27		
3.100.0017	ELBOW 4 1/8 COPPER TUBE	1	28		
3.099.0015	RING SEEGER I D.21 SP1 DIN 472	1	29		
4.608.0002	SITE GLASS DIAM.20 SP.1,8	1	30		
4.605.0001	WROUGHT BURNER FLANGE	1	31		
3.104.0009	DIESEL FUEL NOZZLE 1,50 60/A	1	32		
4.616.0006	COPPER TUBE DIAM.4 COMPACT	1	34		
3.400.0009	IGNITION TRANSF. 220/50 CABLE L.580	1	35		
4.607.0011	MOTOR FOOT CLAMP	2	36		
5.609.0023	FAN PROTECTION CAGE ASSY	1	37		
4.608.0036	FEEDING CABLE CONNECTOR	1	38		
4.608.0068	GUIDING HANDLE COMPACT 4P	1	39		
5.613.0111	PAINTED HANDLE SUPPORT TEKNA	1	40		
3.099.0028	LEFT FAN	1	42		
3.300.0003	BURNER MOTOR 100W/230/50HZ=C80 I.P.55	1	43		
3.099.0012	GAS OIL PUMP PLASTIC COUPLING	1	44		
3.100.0015	STRAIGHT CONNECT.1/8M. FOR COP P.TUBE D.4	1	45		
3.551.0002	GAS OIL PUMP SINGLE HOSE+ELECT RODE 220V	1	46		
3.004.0015	WASHER D.22X39 UNI 6592 ZNT	2	47		
4.606.0013	COIL FIXING NUT 1/2 BRASS SPE C.	2	48		
5.611.0067	TEKNA '95 GAS OIL FILTER UNIT	1	49		
4.618.0004	PIPE FOR PUMP COIL R2 CPT TG 790	1	50		
5.611.0012	EXTERNAL BURNER COVER DIAM.341	1	52		
5.611.0016	RUBBER COATED CABLE L=480 WITH PROTECT.	2	53		
3.003.0010	BLIND NUT E. M6 UNI 5721 BRASS	3	54		

LISTA RICAMBI

CODICE: 8.606.0198 REV.: 1 DESCRIZIONE: TEKNA 1514 T'97 230/400-50 -R- EUROMAC

DATA INIZIO VAL.: 01/01/1999 DATA FINE VAL.: 01/01/3000

CODICE GRUPPO: R8606X104 REV.: 1 DESCRIZIONE: TEKNA 1514 T'97 230/400-50 BAS E DA FINIRE

DATA INIZIO VAL.: 01/01/1999 DATA FINE VAL.: 01/01/3000 N. TAVOLA: E8606X001/01

CODICE:	DESCRIZIONE:	QTA':	POS:	ORD	EXTR.
3.004.0006	WASHER D.6X12,5 UNI 6592 ZNT	3	55		
5.613.0047	BOILER OUTWARD COVER	1	56		
5.613.0080	BUNCHER WITH TAPER D.82 WITH H OLES	1	57		
5.613.0028	CHIMMEY COMB.CHAMB.INWARD COVE R L=120	1	58		
4.604.0013	LOW COIL	1	59		
5.613.0110	BOILER TEKNA '95 PAINTED	1	60		
4.608.0012	RIGID REFRACTORY BOTTOM D.290 DENS.280	1	61		
4.608.0013	CHEESY REFRACTORY BOTTOM D.290 DENS.64	1	62		
4.607.0006	COIL FIXING STRIP PLATE 20/1 0	1	63		
4.608.0004	GASKET WITHOUT AMIANTH. FOR BO ILER ESP.2	1	64		
5.613.0109	FRAME TEKNA '95 PAINTED	1	65		
4.618.0040	L.P.PIPE D.19X10 L=350 3/8F+EL BOW.3/8FG	1	74		
3.749.0006	PLASTICK TANK	1	75		
3.749.0005	GAUGE COCK OT 3/8	1	76		
3.749.0007	FLOAT CHAMBER COVER	1	77		
5.609.0058	HOSE HOLDER + FLOAT CHAMBER FILTER KIT	1	80		
3.100.0003	HOSE HOLDER 3/4 BUSH	1	81		
3.100.0060	HOSE HOLDER DIAM.17	1	82		
3.004.0032	RUBBER WASHER	1	83		
4.606.0028	NIPPLE 1/2 M 3/4 M esp.03	1	84		
3.004.0004	ALUMINIUM WASHER 21X30XSP 1,5	2	85		
3.749.0039	FILTER FOR TANK G.1/2F. 282027 23	1	86		
5.609.0006	THERMOSTAT BODY BULB REV.CONN. 1/2+MV.08	1	87		
3.100.0018	RAPID COUPLING 3/8 M. 08 (465)	1	89		
4.606.0038	ADJUSTING SCREW FOR SAFETY VALVE	1	90		
4.606.0039	THERMOST.BULB BODY AND SAFETY VALVE	1	91		
3.100.0026	NIPPLE M/F.REVOLVING GAS FIL.1 /2	1	92		
4.606.0019	SUCTION CONNECTOR M22 IDRO COM PACT	1	94		
4.008.0031	INLET WATER FILTER H2O D.16 CONICAL	1	95		