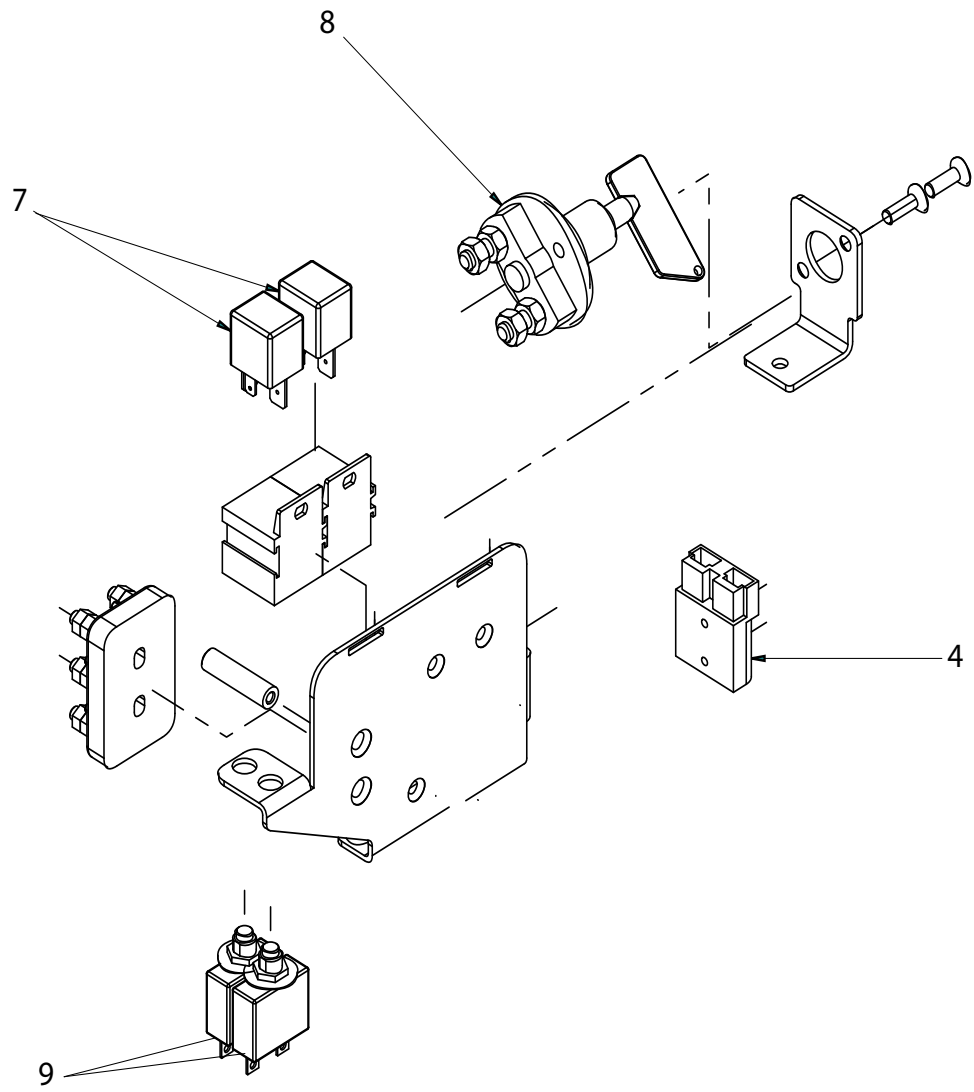


# LAVORWASH

## SERVICE

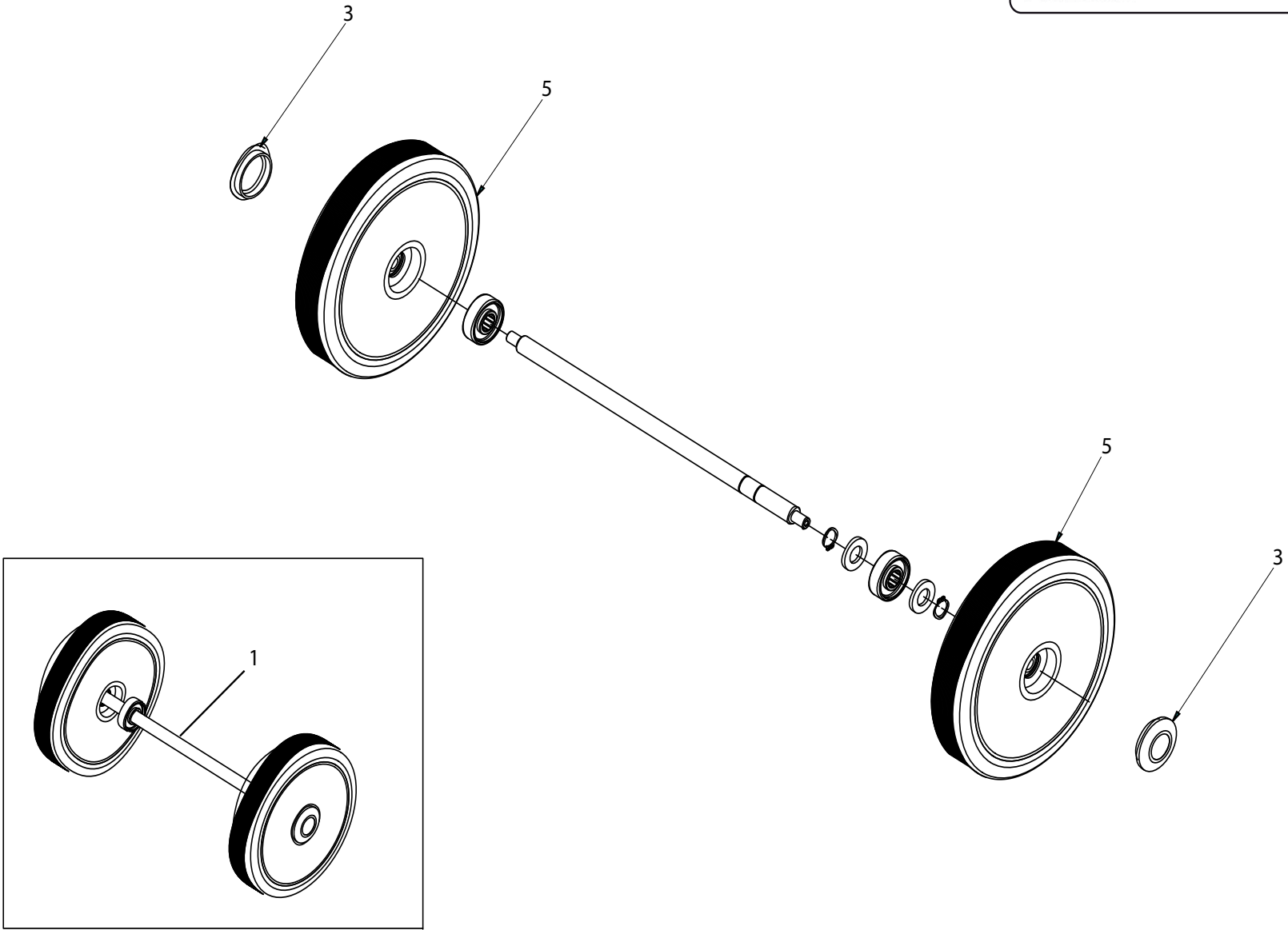
Parts

CODE	<b>8.518.0003</b>
DESCRIPTION	<b>SCL QUICK 36B CBT+1XSPIRALCELLY/GREY - LWS</b>
REVISION	<b>13/5/2008</b>
VALIDITÀ	<b>WEEK 4 2014</b>



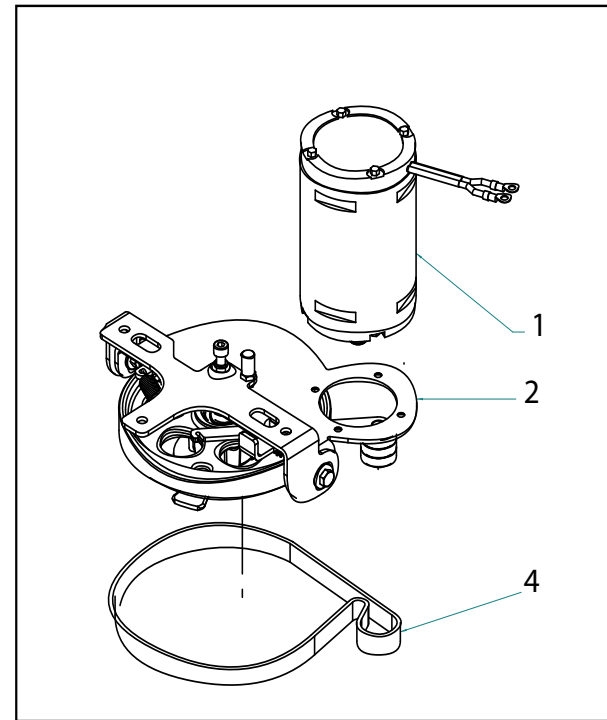
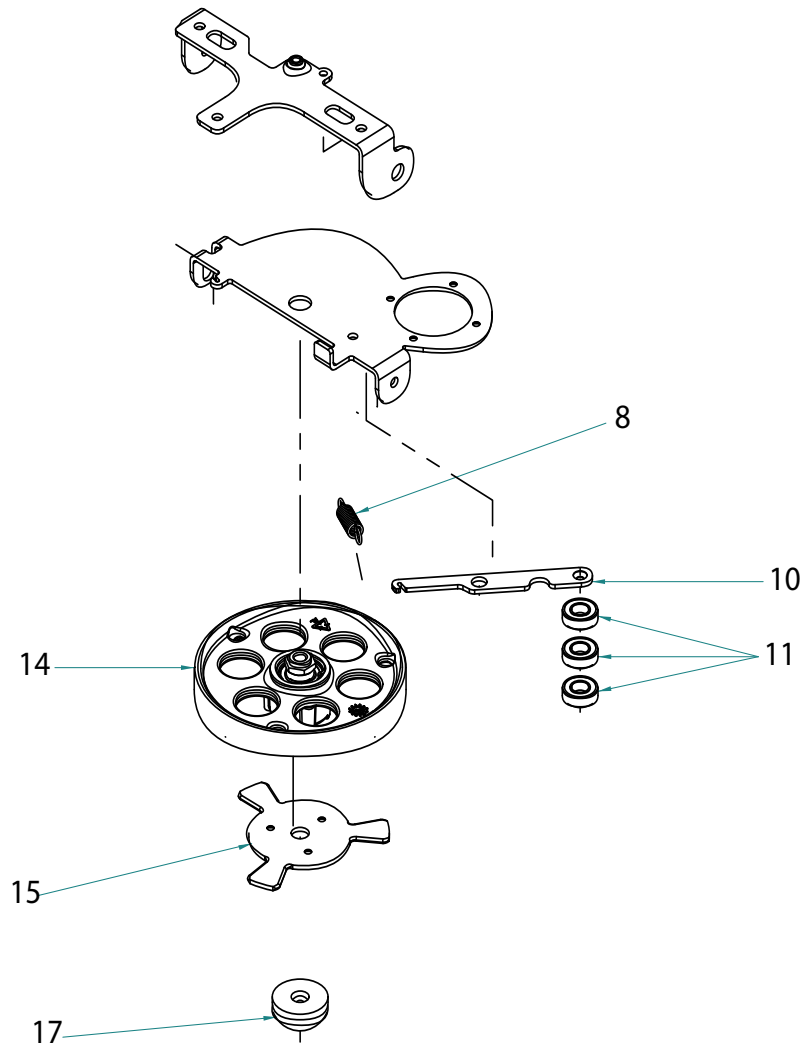
Pos.	Code	Price	Q.ty per	Qty.	Description	Alternative	Price	Q.ty per	Description
004	3.499.0029	11	2	1	RED CONNECTOR SR50		0	0	
007	3.402.0054	20.7	1	2	RELE		0	0	
008	3.401.0162	35.5	1	1	BATTERY MAIN SWITCH		0	0	
009	3.401.0119	8.48	3	2	THERMAL CIRCUIT BREAKER 25A		0	0	

<b>8.518.0003</b>	<b>R55090001-1</b>	<b>CHASSIS</b>
-------------------	--------------------	----------------

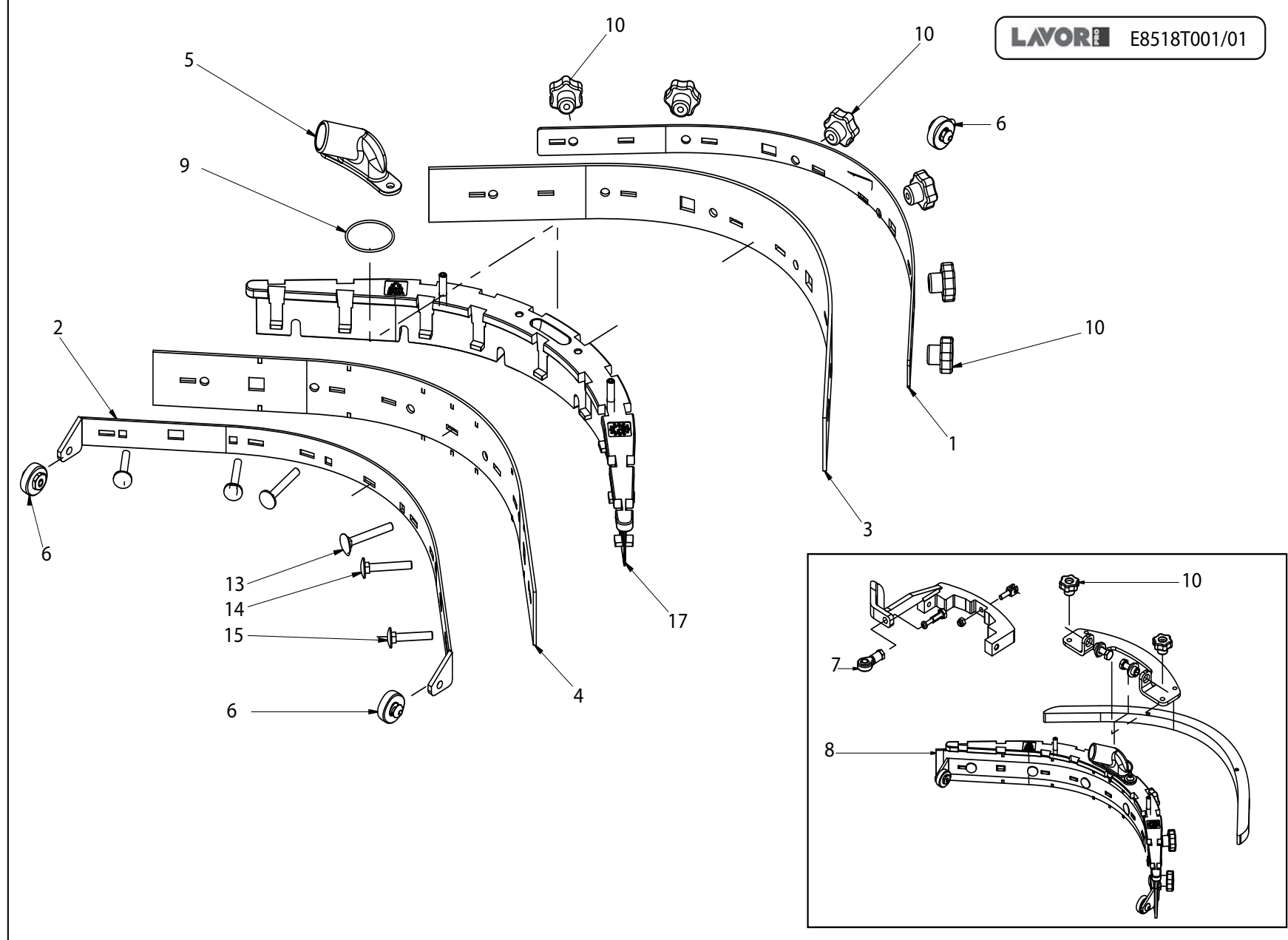


Pos.	Code	Price	Q.ty per	Qty.	Description	Alternative	Price	Q.ty per	Description
001	5.511.1397	118.77	1	1	WHEEL SHAFT ASSEMBLY		0	0	
003	3.099.1066	11.25	2	2	CAP FOR WHEEL - GREY		0	0	
005	3.006.0127	61.4	1	2	LOOSE WHEEL D=210 L=42 D10		0	0	

8.518.0003	R55090002-1	AXLE
------------	-------------	------



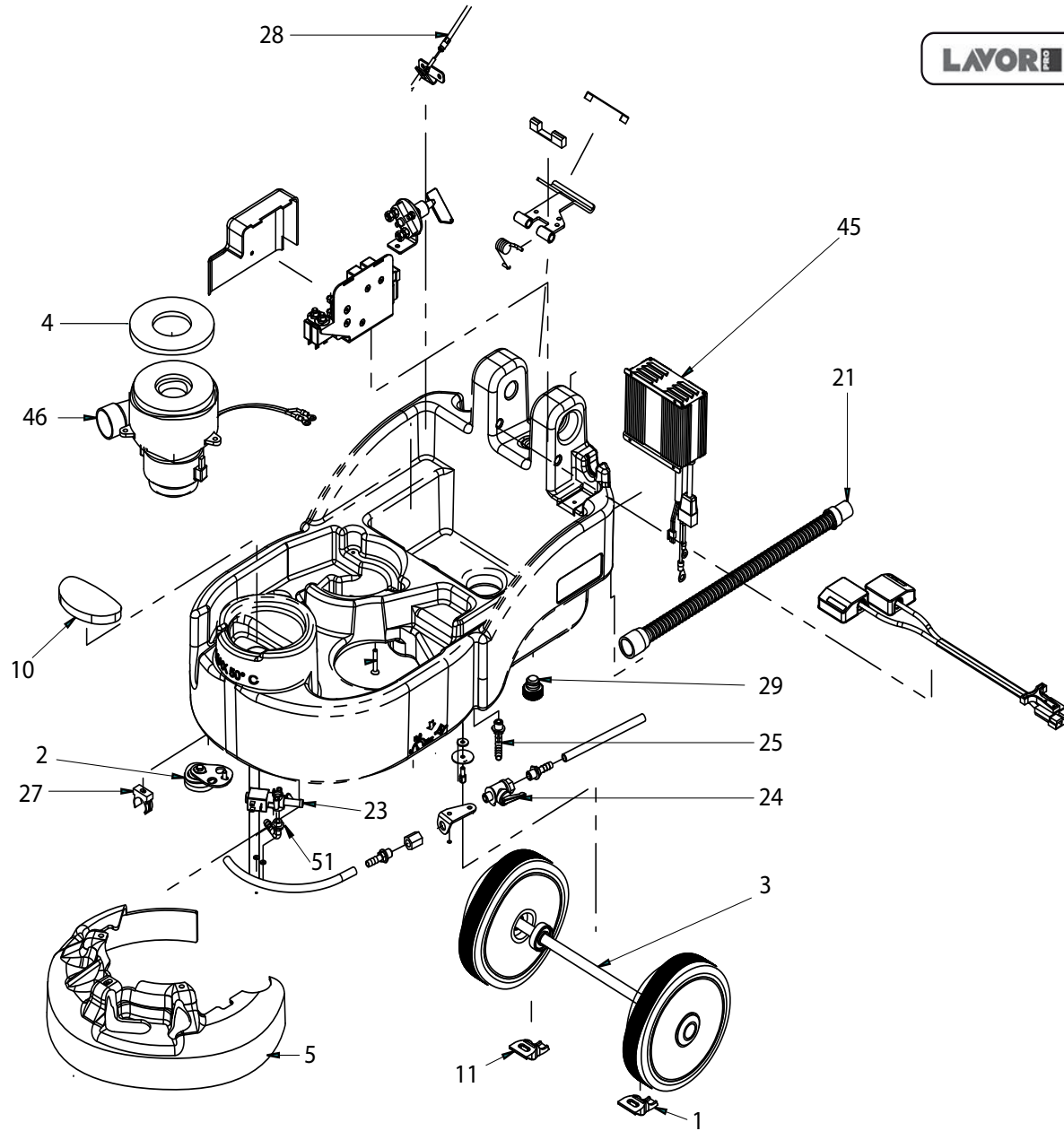




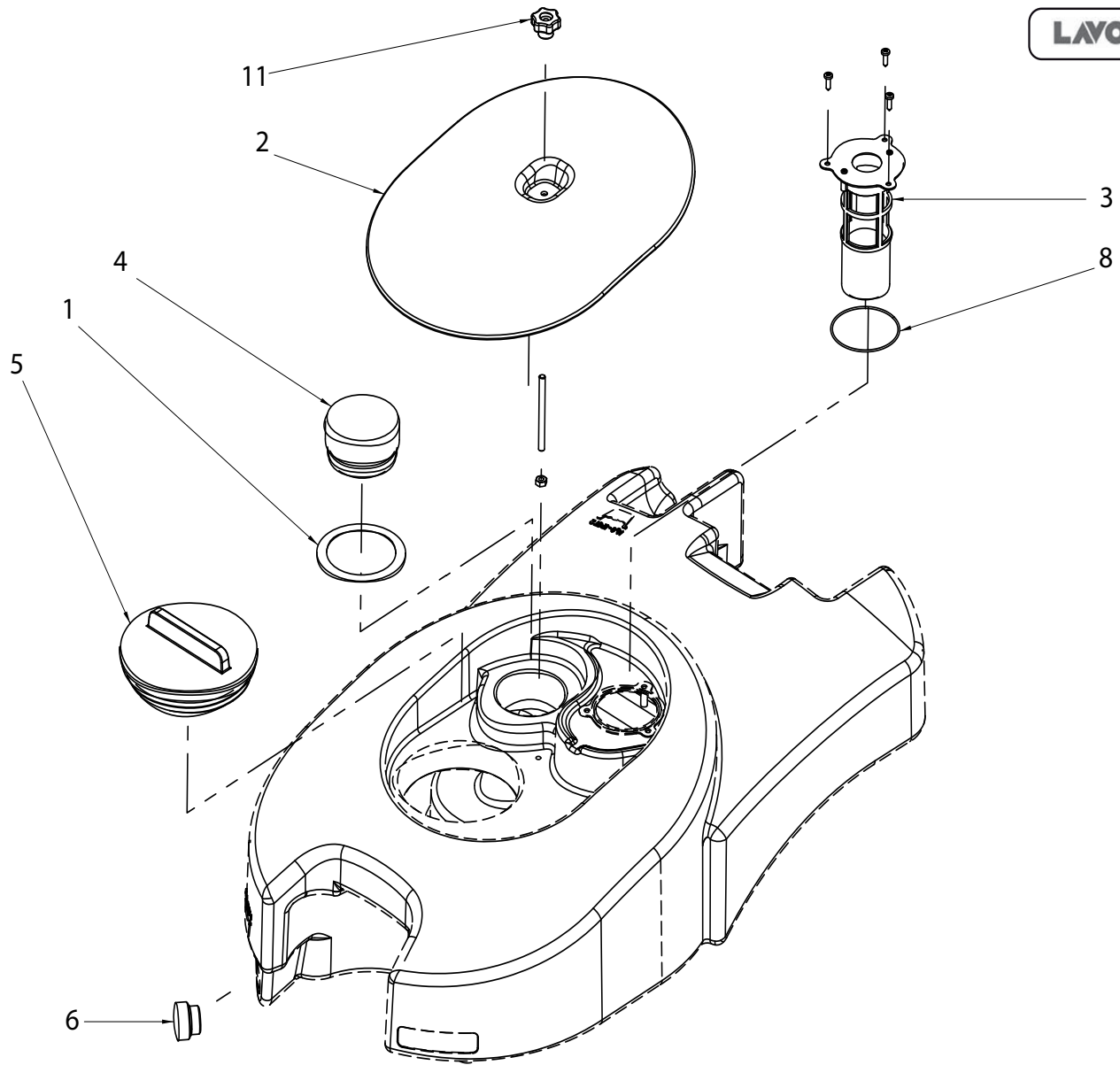


Pos.	Code	Price	Q.ty per	Qty.	Description	Alternative	Price	Q.ty per	Description
001	5.513.0235	95.19	1	1	REAR SQUEEGEE BLADE HOLDER PLATE		0	0	
002	5.513.0234	96.01	1	1	FRONT SQUEEGEE BLADE HOLDER PLATE		0	0	
003	4.508.1041	6.3	4	1	REAR SQUEEGEE (NATURAL RUBBER)		0	0	
004	4.508.1040	4.15	5	1	FRONT SQUEEGEE BLADE (NATURAL RUBBER)		0	0	
005	4.508.1039	8.5	3	1	VACCUM RACCORD		0	0	
006	5.511.1510	15.76	1	3	SQUEEGEE WHEEL KIT		0	0	
007	3.099.1226	37.2	1	1	SPHERE CONNECTION		0	0	
008	5.511.1396	229.76	1	1	SQUEEGEE ASSEMBLY		0	0	
009	3.200.0212	2.25	9	1	O-RING		0	0	
010	3.099.0477	11.25	2	6	KNOB M6		0	0	
013	3.002.0822	1.12	18	2	SCREW M6 X 45		0	0	
014	3.002.0821	1.93	11	2	SCREW M6 X 40		0	0	
015	3.002.0820	1.12	18	2	SCREW M6 X 35		0	0	
017	5.511.1477	73.76	1	1	SQUEEGEE ASSEMBLY		0	0	

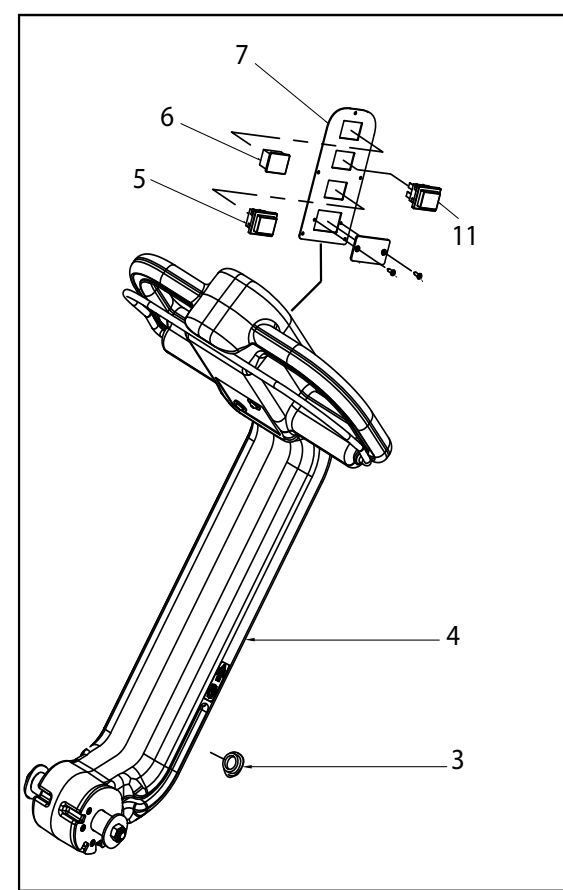
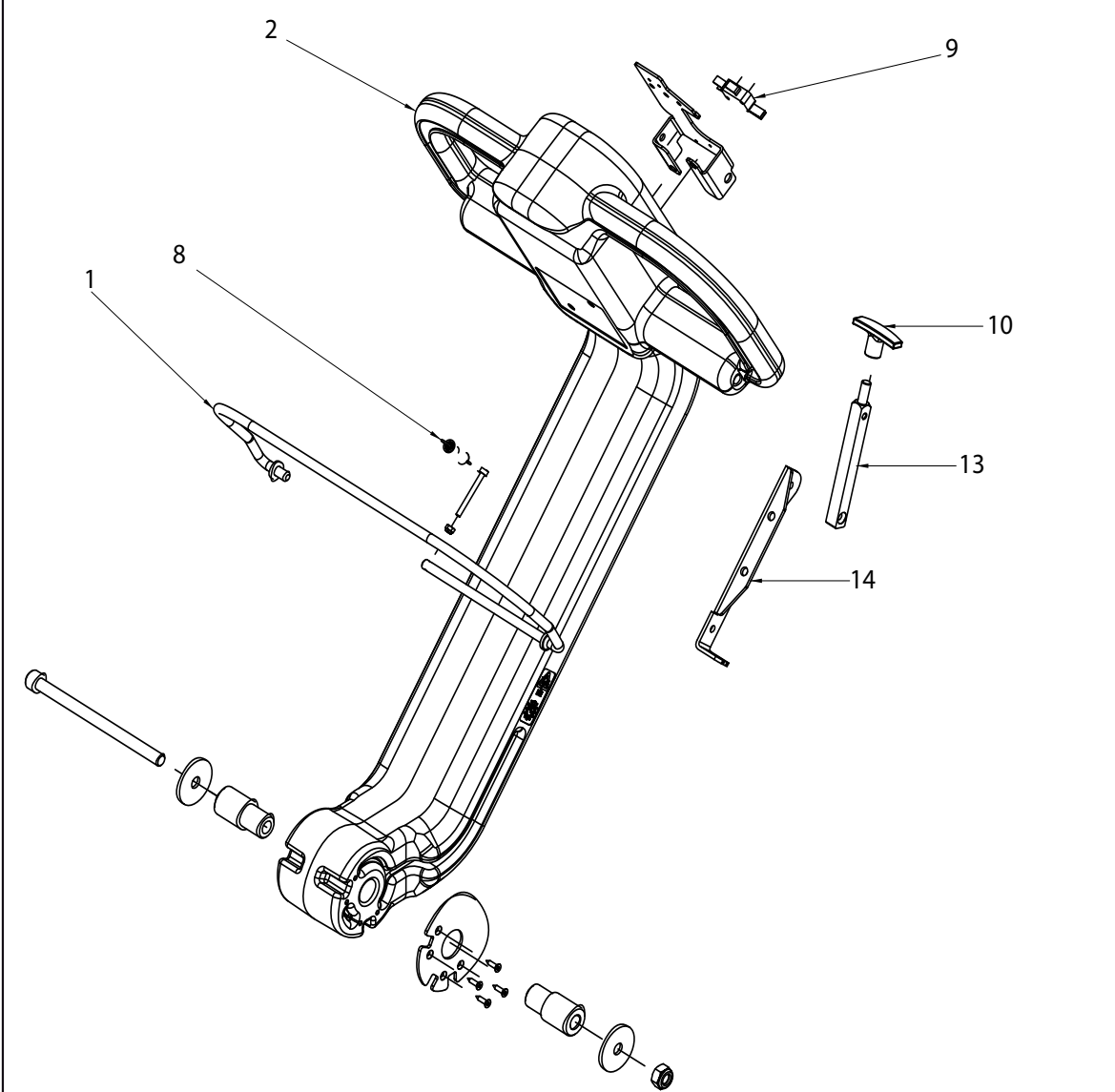
<b>8.518.0003</b>	<b>R55091444-1</b>	<b>SQUEEGEE</b>
-------------------	--------------------	-----------------











Pos.	Code	Price	Q.ty per	Qty.	Description	Alternative	Price	Q.ty per	Description
001	5.513.0239	43.11	1	1	COMAND LEVER		0	0	
002	4.508.1035	122.4	1	1	HANDLE		0	0	
003	3.406.0047	1.12	18	1	CAP		0	0	
004	5.511.1404	244.05	1	1	HANDLE ASSEMBLY		0	0	
005	5.009.0690	21.42	1	1	SWITCH ASSEMBLY		0	0	
006	3.099.1448	2.36	9	1	CAP		0	0	
007	4.505.0231	40.75	1	1	DASH BOARD		0	0	
008	4.507.0522	2.55	8	1	SPRING		0	0	
009	3.401.0157	11.3	2	1	MICROSWITCH WITH LEVER 20A 250V		0	0	
010	3.099.1338	3.9	6	1	TIE ROD		0	0	
011	5.009.0689	21.42	1	1	DOUBLE SWITCH ASSEMBLY		0	0	
013	4.507.1119	26.59	1	1	COMAND LEVER		0	0	
014	4.507.1247	27.37	1	1	SQUEEGEE LEVER SUPPORT		0	0	

<b>8.518.0003</b>	<b>R55091448-1</b>	<b>HANDLE</b>
-------------------	--------------------	---------------

