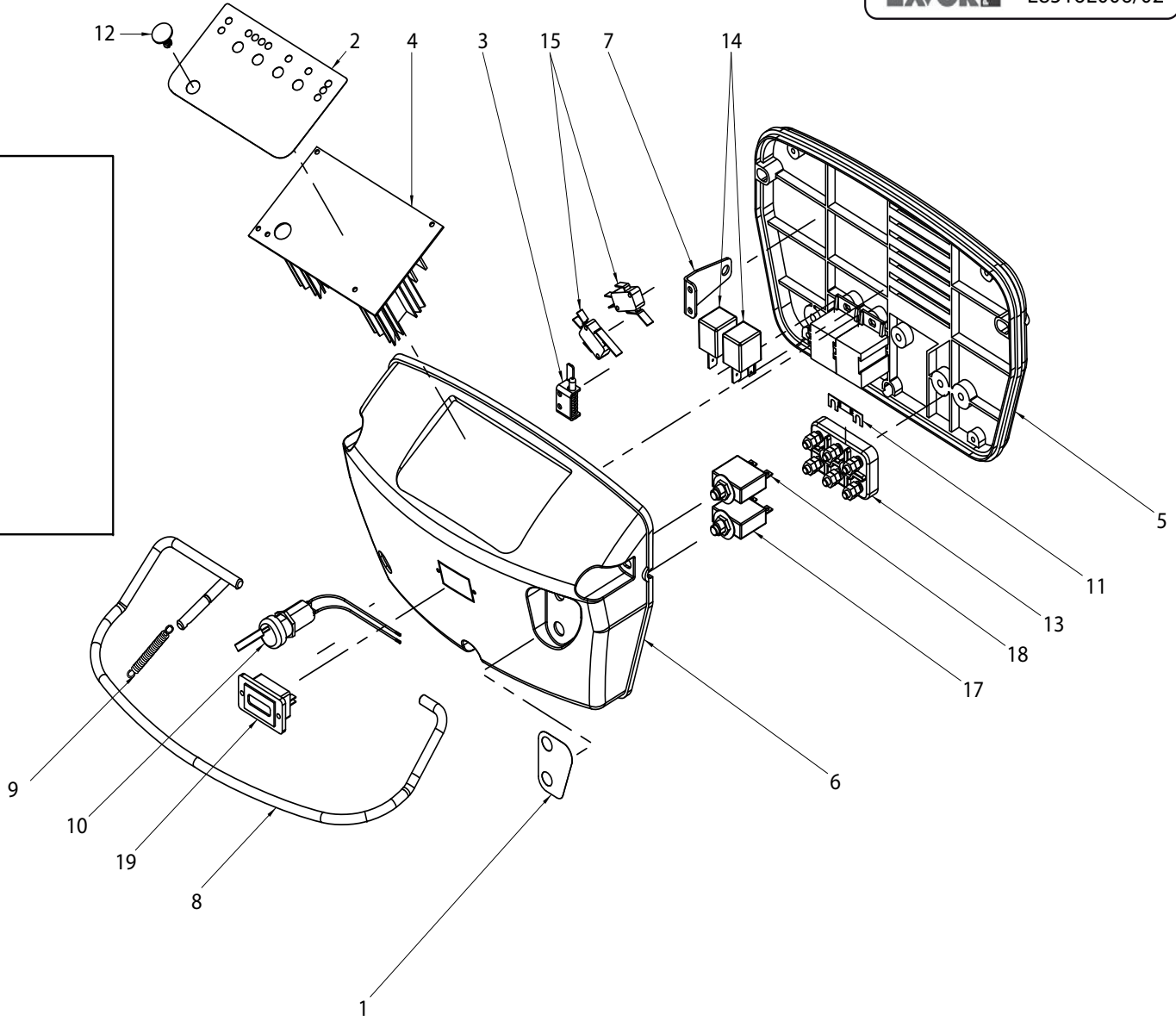
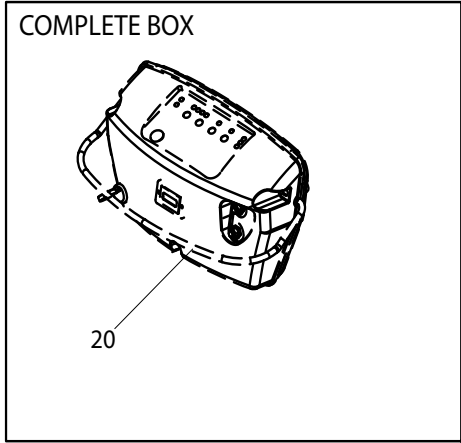


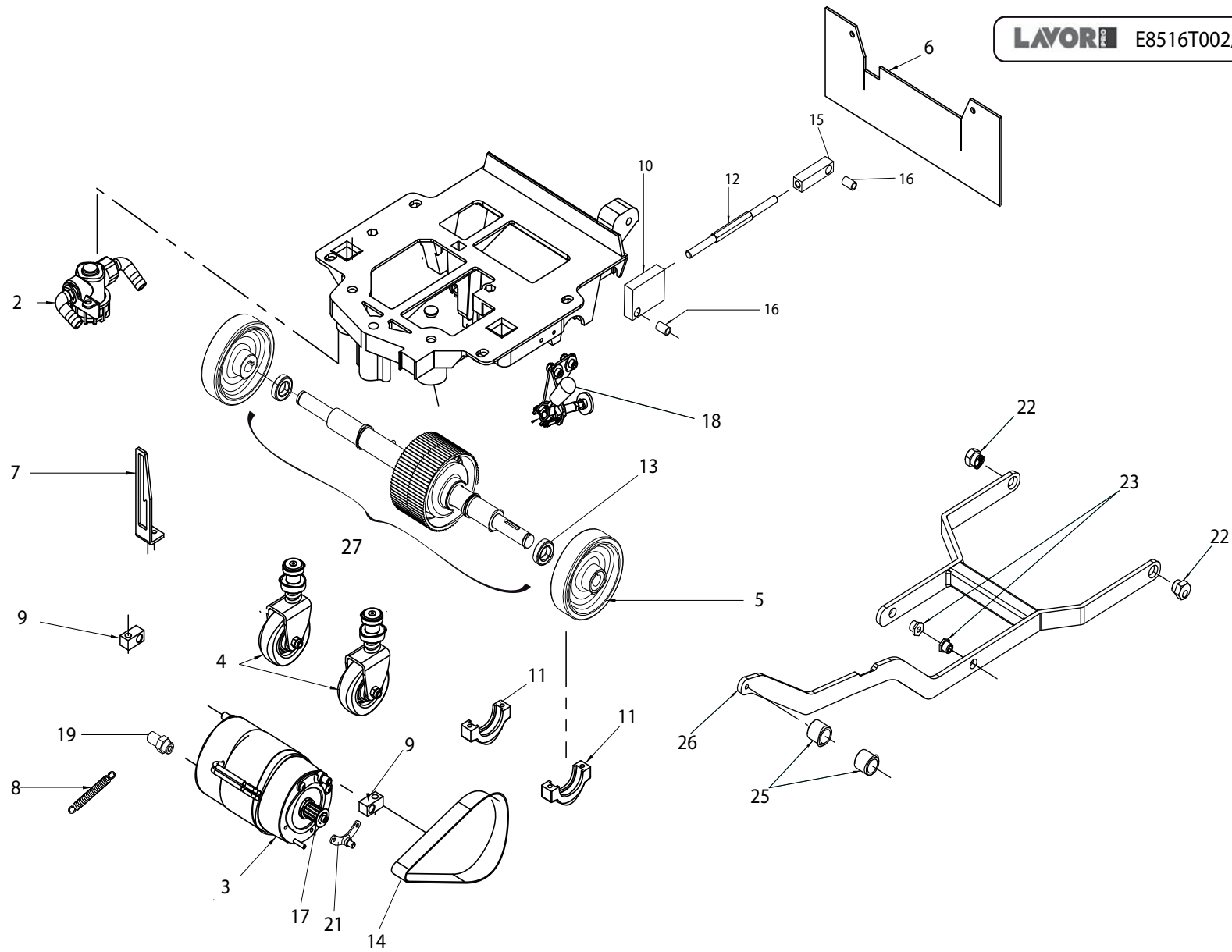
LAVORWASH

SERVICE

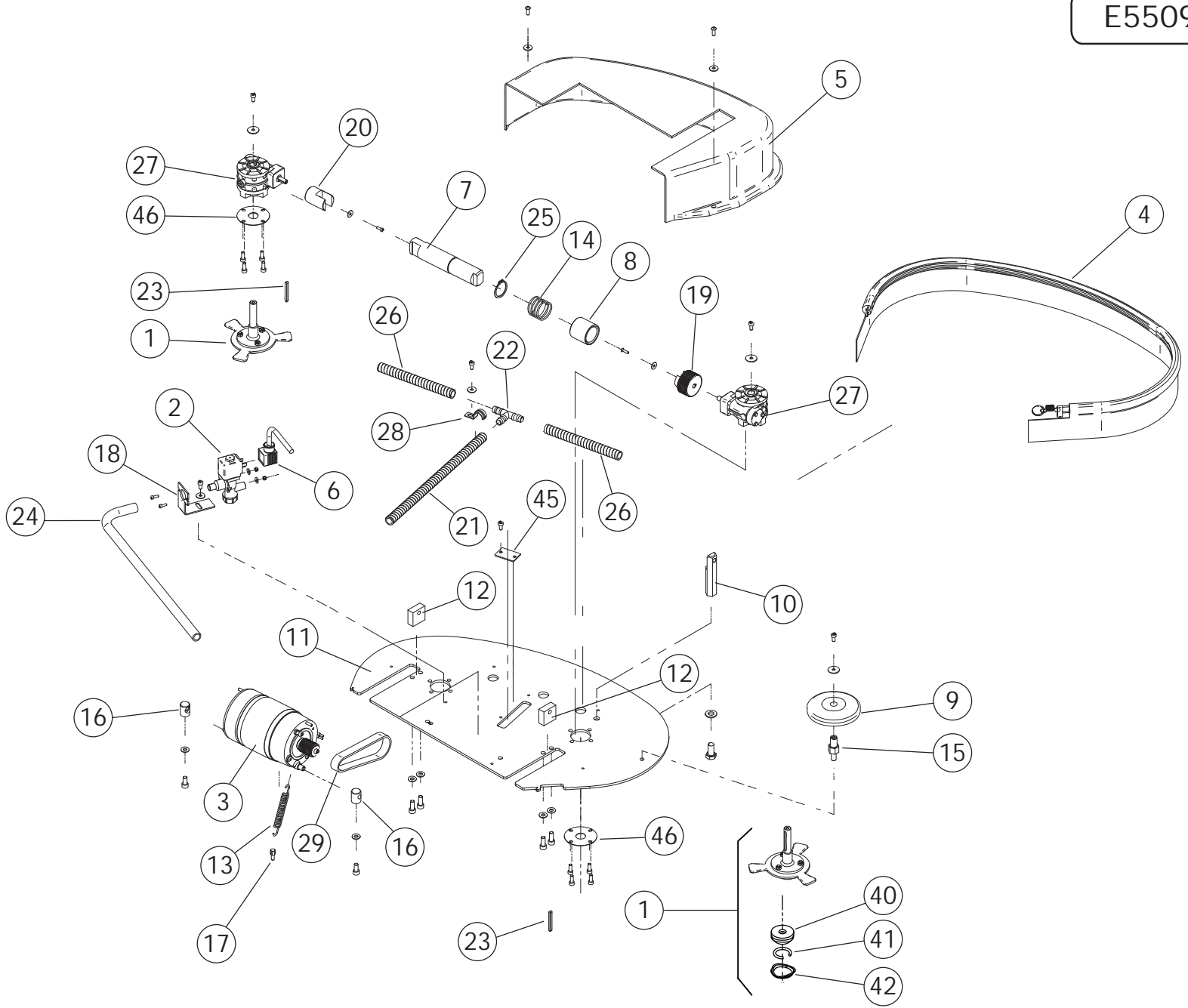
Parts

CODE	8.516.0415
DESCRIPTION	FLOOR SCRUBBER DRIER SCL EASY-R 66BT Y/G -LWS-
REVISION	12/3/2009
VALIDITÀ	WEEK 27 2014





E55091481/01

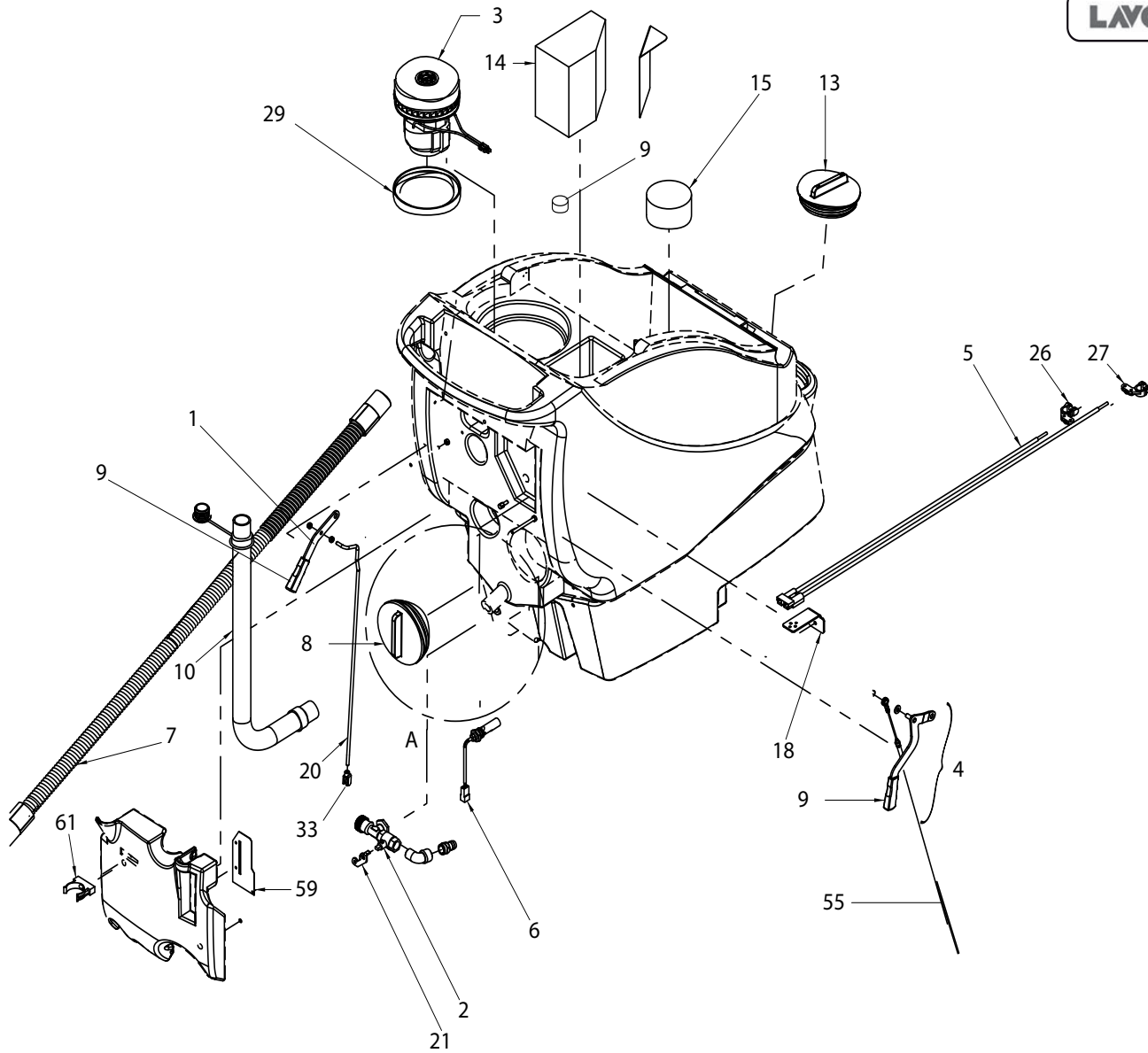


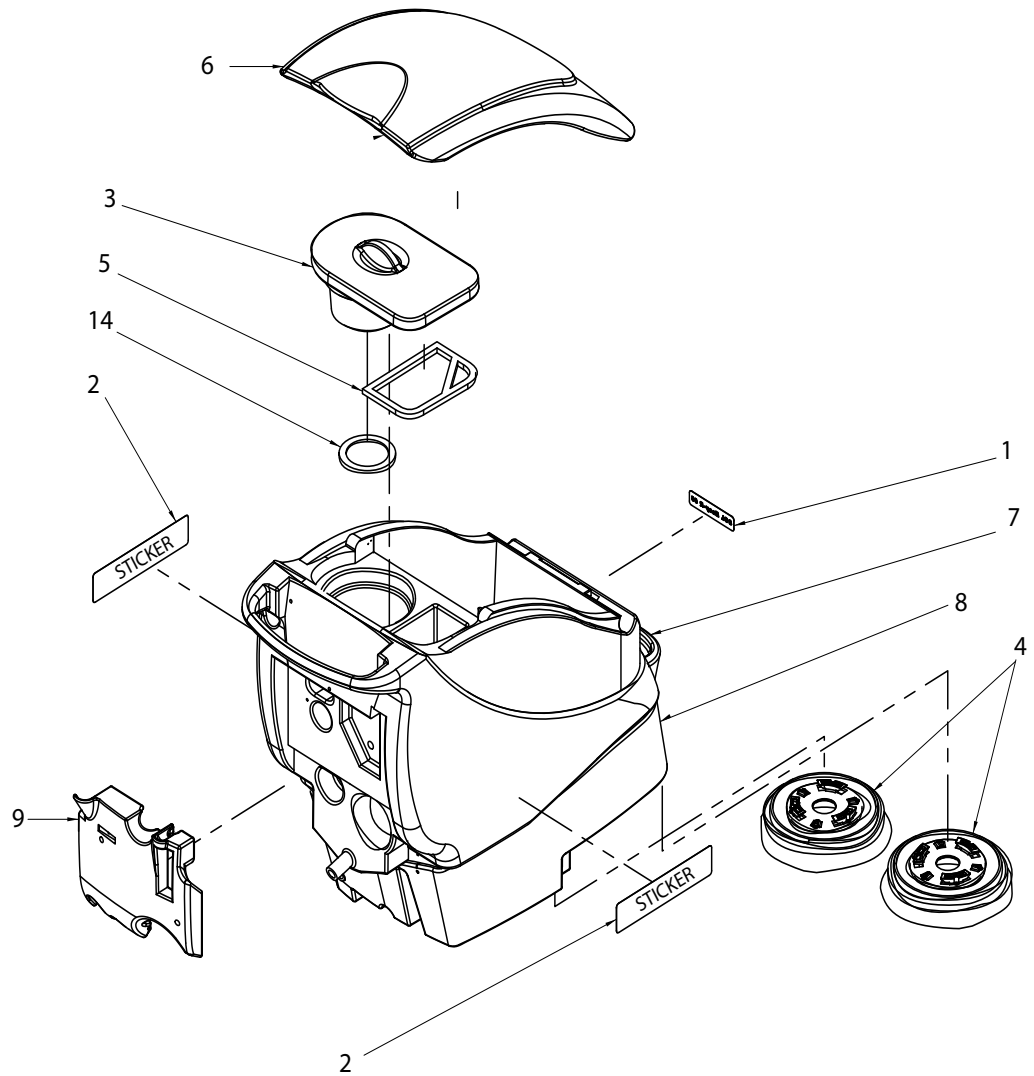
Pos.	Code	Price	Q.ty per	Qty.	Description	Alternative	Price	Q.ty per	Description
001	5.511.1457	126.07	1	2	COMPLETE BRUSH COUPLING		0	0	
002	5.511.1456	104.9	1	1	SOLENOID VALVE ASSEMBLY FOR EASY-R/SIGMA		0	0	
003	5.511.1453	451.61	1	1	BRUSH MOTOR ASSEMBLY EASYR/SIGMA 1		0	0	
004	5.511.0913	65.56	1	1	BUMPER ASSEMBLY - F26 MINI		0	0	
005	4.513.0292	50.95	1	1	BRUSH MOTOR COVER F26		0	0	
006	4.512.0071	27.76	1	1	CONNECTOR WITH CABLE		0	0	
007	4.508.0904	72.4	1	1	DRIVE SHAFT		0	0	
008	4.508.0299	8.05	3	1	NYLON CENTRING BUSHING		0	0	
009	4.508.0224	11.46	2	1	BUMPER WHEEL D.110 GREY		0	0	
010	4.507.0960	35.43	1	1	BAR		0	0	
011	4.507.0956	132.27	1	1	BRUSH PLATE		0	0	
012	4.507.0602	22.49	1	2	BAR		0	0	
013	4.507.0467	4.73	5	1	SPRING		0	0	
014	4.507.0335	22.49	1	1	COMPRESSION SPRING		0	0	
015	4.507.0308	6.22	4	1	SUPPORT FOR BUMPER WHEEL		0	0	
016	4.507.0151	3.36	6	2	MOTOR SUPPORT		0	0	
017	4.506.0034	1.73	12	1	PIN FOR SPRING COUPLING		0	0	
018	4.505.0146	26.59	1	1	SUPPORT FOR SOLENOID VALVE - F55		0	0	
019	4.505.0059	30.47	1	1	DRIVEN PULLEY - G/F21		0	0	
020	4.505.0019	22.49	1	1	RING NUT		0	0	
021	3.752.0188	3.33	7	1	WATER HOSE		0	0	
022	3.100.0113	1.14	18	1	UNION TEE D.16 BLACK		0	0	
023	3.099.1116	1.12	18	2	FEATHER KEY 5X5X10 UNI 6604A		0	0	
024	3.099.0778	5.36	4	1	ARMONVILLE HOSE		0	0	
025	3.099.0544	1.12	18	1	SEEGER RING D=35 UNI 7435-35		0	0	
026	3.099.0481	37.51	1	2	HOSE ARMONVILLE D.int.=14 L=181		0	0	
027	3.099.0367	235.66	1	2	REDUCTION GEAR RI 28 P 1/20		0	0	
028	3.099.0329	11.25	2	1	HOSE CLAMP D.20 ZNT		0	0	
029	3.099.0320	22.74	1	1	POLI-V BELT 381/150 (8 TEETH)		0	0	
040	4.508.0290	11.46	2	2	BRUSH COUPLING CENTERING BUSHING		0	0	
041	3.200.0127	11.25	2	2	O-RING D=5.34 L=106		0	0	
042	4.508.0314	7.74	3	2	OPENED RING		0	0	
045	4.507.0104	3.71	6	1	SUPPORT FOR SQUEEGEE LIFT LEVER		0	0	
046	4.507.1266	8.43	3	2	PROTECTING DISC FOR REDUCTIONGEAR		0	0	

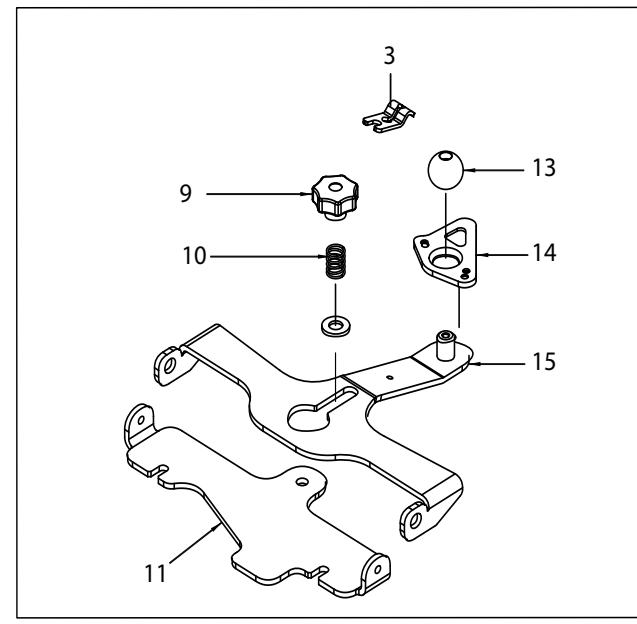
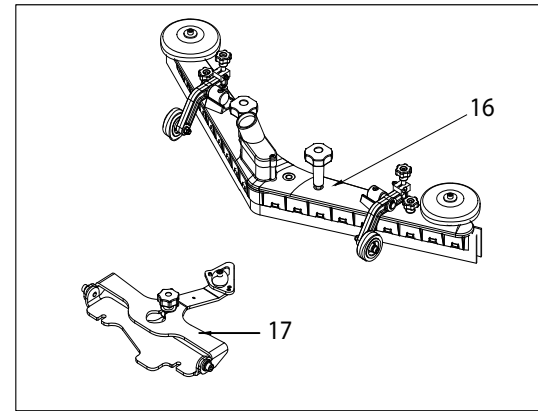
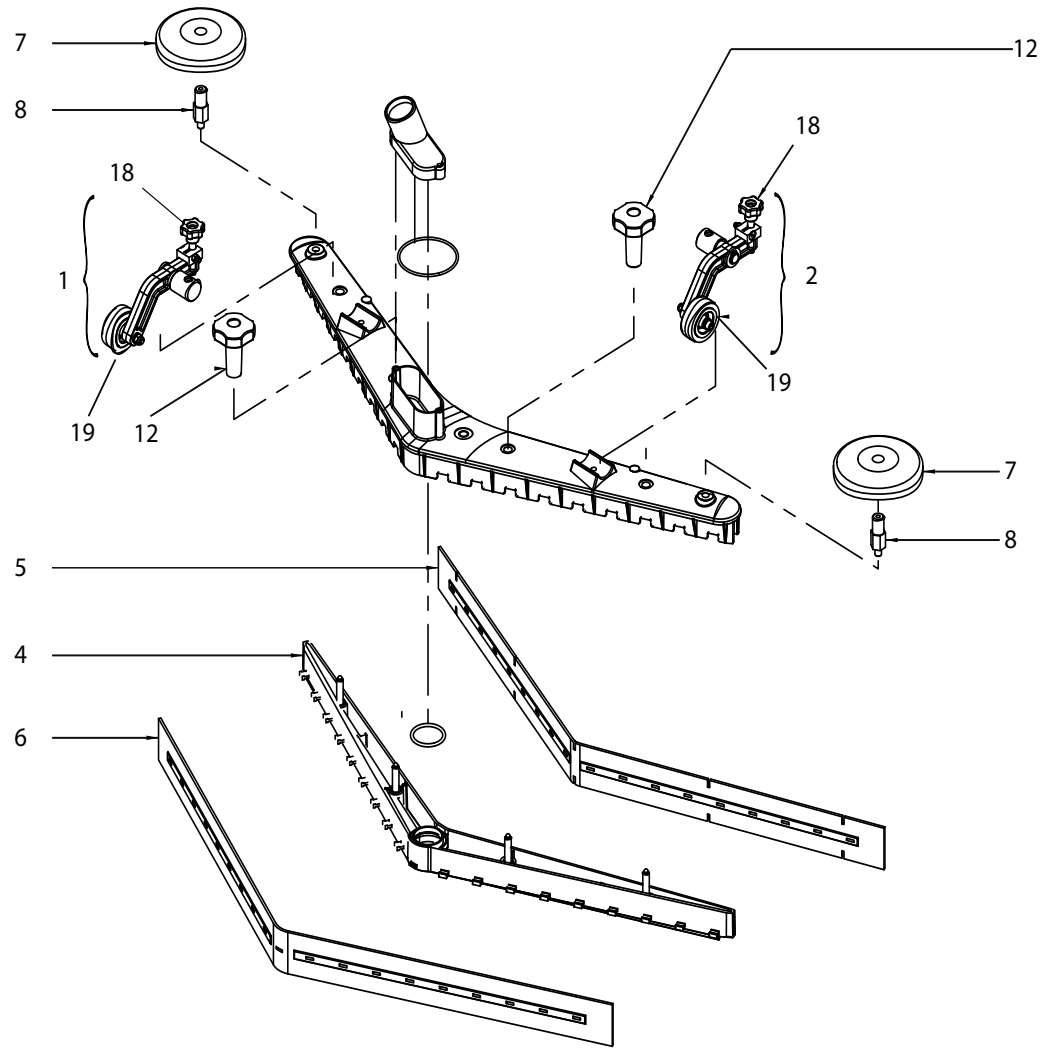
8.516.0415

R55091481-1

BRUSH PLATE







Code	Exploded View	Pos.	Qty
3.001.0053	R55091478-1	013	1
3.006.0075	R55111122-1	019	2
3.006.0110	R55091478-1	005	2
3.099.0320	R55091481-1	029	1
3.099.0329	R55091481-1	028	1
3.099.0343	R55091482-1	061	1
3.099.0356	R55091478-1	014	1
3.099.0367	R55091481-1	027	2
3.099.0481	R55091481-1	026	2
3.099.0544	R55091481-1	025	1
3.099.0647	R55090554-1	012	1
3.099.0753	R55091482-1	011	1
3.099.0778	R55091481-1	024	1
3.099.1109	R55111122-1	018	2
3.099.1116	R55091481-1	023	2
3.099.1189	R55111122-1	009	1
3.099.1265	R55111122-1	012	2
3.099.1330	R55091482-1	055	1
3.100.0113	R55091481-1	022	1
3.200.0127	R55091481-1	041	2
3.401.0073	R55090554-1	018	1
3.401.0075	R55090554-1	017	1
3.401.0113	R55090554-1	015	2
3.402.0017	R55090554-1	014	2
3.403.0117	R55090554-1	019	1
3.405.0045	R55090554-1	013	1
3.405.0046	R55091482-1	027	1
3.405.0047	R55091482-1	026	1
3.499.0135	R55090554-1	011	1
3.499.0406	R55090554-1	010	1
3.752.0188	R55091481-1	021	1
4.505.0009	R55091478-1	011	1
4.505.0019	R55091481-1	020	1
4.505.0059	R55091481-1	019	1

Code	Exploded View	Pos.	Qty
4.505.0146	R55091481-1	018	1
4.506.0012	R55091478-1	022	1
4.506.0034	R55091481-1	017	1
4.506.0065	R55091478-1	019	2
4.507.0039	R55091478-1	025	1
4.507.0072	R55091478-1	009	2
4.507.0092	R55091478-1	008	1
4.507.0104	R55091481-1	045	1
4.507.0151	R55091481-1	016	2
4.507.0308	R55091481-1	015	1
4.507.0335	R55091481-1	014	1
4.507.0394	R55091478-1	015	1
4.507.0396	R55091478-1	016	1
4.507.0467	R55091481-1	013	1
4.507.0493	R55091482-1	020	1
4.507.0499	R55091478-1	007	1
4.507.0522	R55090554-1	009	1
4.507.0602	R55091481-1	012	2
4.507.0654	R55090554-1	008	1
4.507.0655	R55091478-1	012	1
4.507.0659	R55090554-1	007	1
4.507.0670	R55091478-1	010	1
4.507.0679	R55091482-1	059	1
4.507.0831	R55111122-1	008	2
4.507.0854	R55111122-1	003	1
4.507.0956	R55091481-1	011	1
4.507.0960	R55091481-1	010	1
4.507.1070	R55111122-1	011	1
4.507.1076	R55111122-1	010	1
4.507.1255	R55091482-1	018	1
4.507.1266	R55091481-1	046	2
4.508.0099	R55091492-1	008	1
4.508.0154	R55091478-1	006	1
4.508.0208	R55111122-1	013	1

Code	Exploded View	Pos.	Qty
4.508.0209	R55111122-1	014	1
4.508.0224	R55111122-1	007	2
	R55091481-1	009	1
4.508.0290	R55091481-1	040	2
4.508.0299	R55091481-1	008	1
4.508.0314	R55091481-1	042	2
4.508.0395	R55091482-1	015	1
4.508.0396	R55090554-1	006	1
4.508.0397	R55090554-1	005	1
4.508.0402	R55091492-1	003	1
4.508.0467	R55111122-1	006	1
4.508.0468	R55111122-1	005	1
4.508.0471	R55091492-1	005	1
4.508.0472	R55091492-1	014	1
4.508.0473	R55091482-1	014	1
4.508.0505	R55111122-1	004	1
4.508.0534	R55091482-1	013	1
4.508.0535	R55091492-1	007	1
4.508.0563	R55091492-1	006	1
4.508.0564	R55091492-1	009	1
4.508.0904	R55091481-1	007	1
4.508.0971	R55091482-1	009	2
4.512.0071	R55091481-1	006	1
4.513.0292	R55091481-1	005	1
4.515.0001	R55090554-1	004	1
5.509.0021	R55091482-1	010	1
5.509.0280	R55091478-1	004	1
5.509.0554	R55090554-1	020	1
5.509.0556	R55090554-1	003	1
5.511.0203	R55091482-1	008	1
5.511.0535	R55091482-1	007	1
5.511.0701	R55091482-1	006	1
5.511.0702	R55091482-1	005	1
5.511.0913	R55091481-1	004	1

