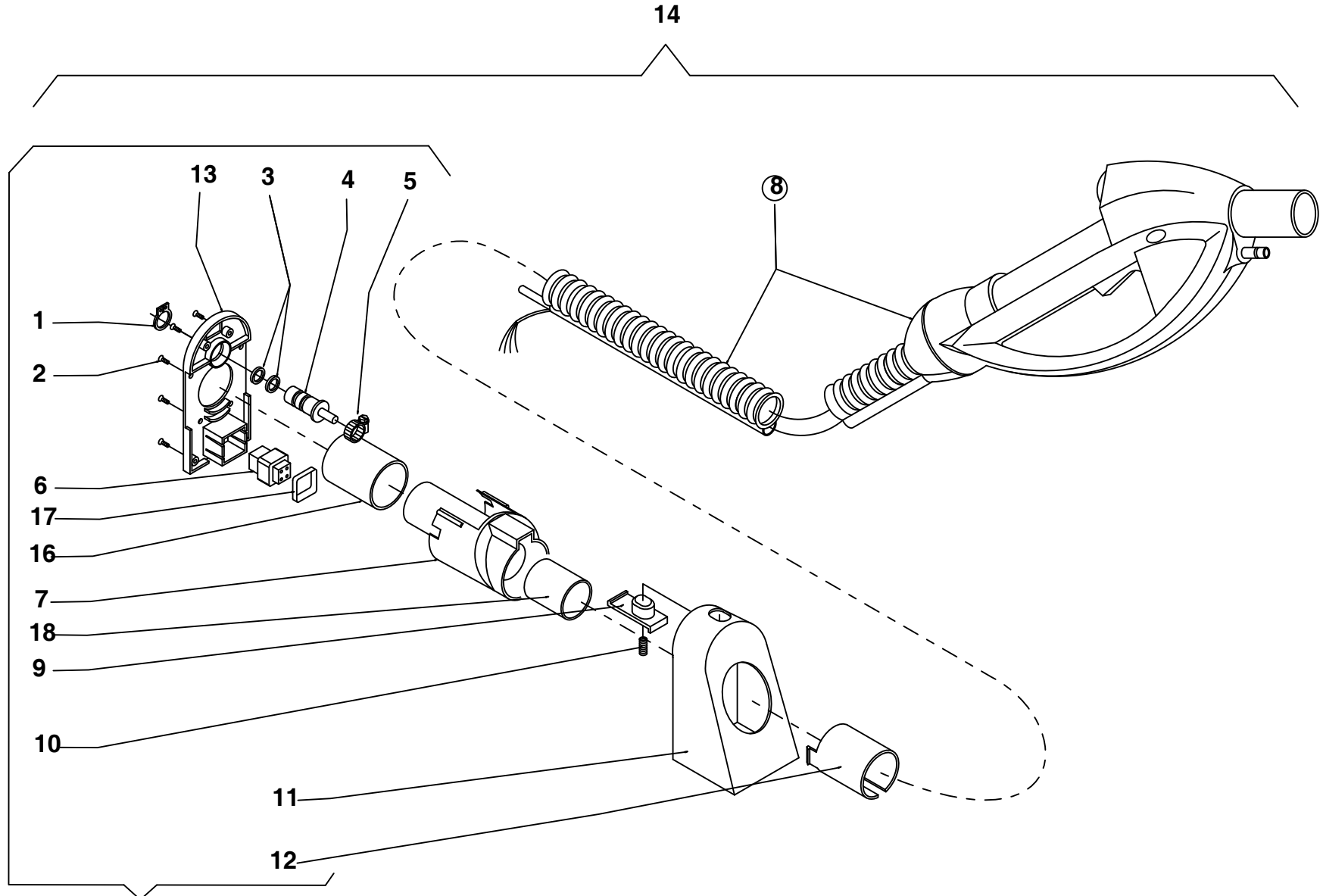


# LAVORWASH

## SERVICE

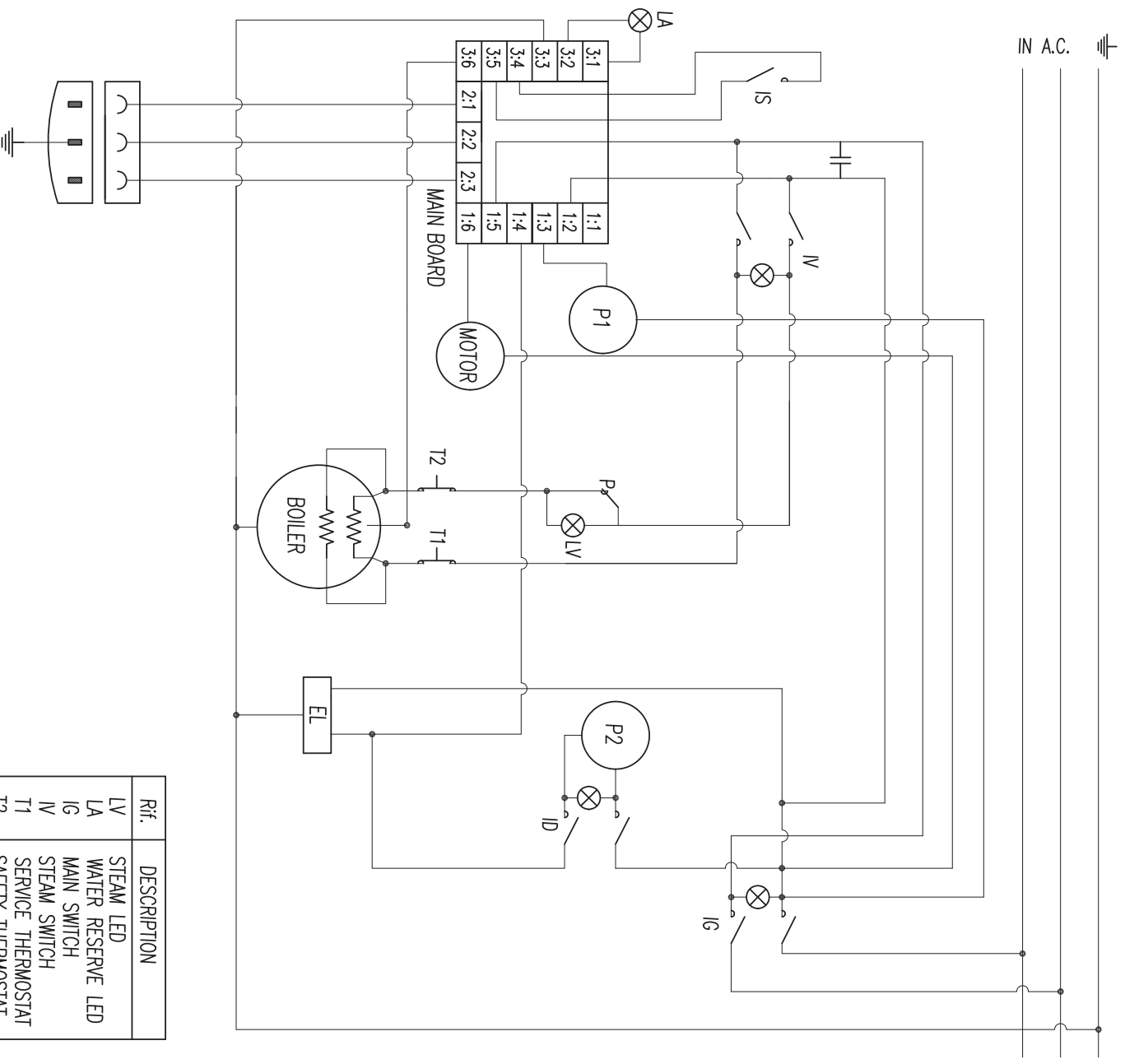
### Parts

CODE	<b>8.451.0101</b>
DESCRIPTION	<b>STEAM GENERATOR GV ETNA 4000 220-240V/50HZ LAVOR PRO</b>
REVISION	<b>22/11/2012</b>
VALIDITÀ	<b>WEEK 18 2014</b>



**15 non sono comprese le viti**

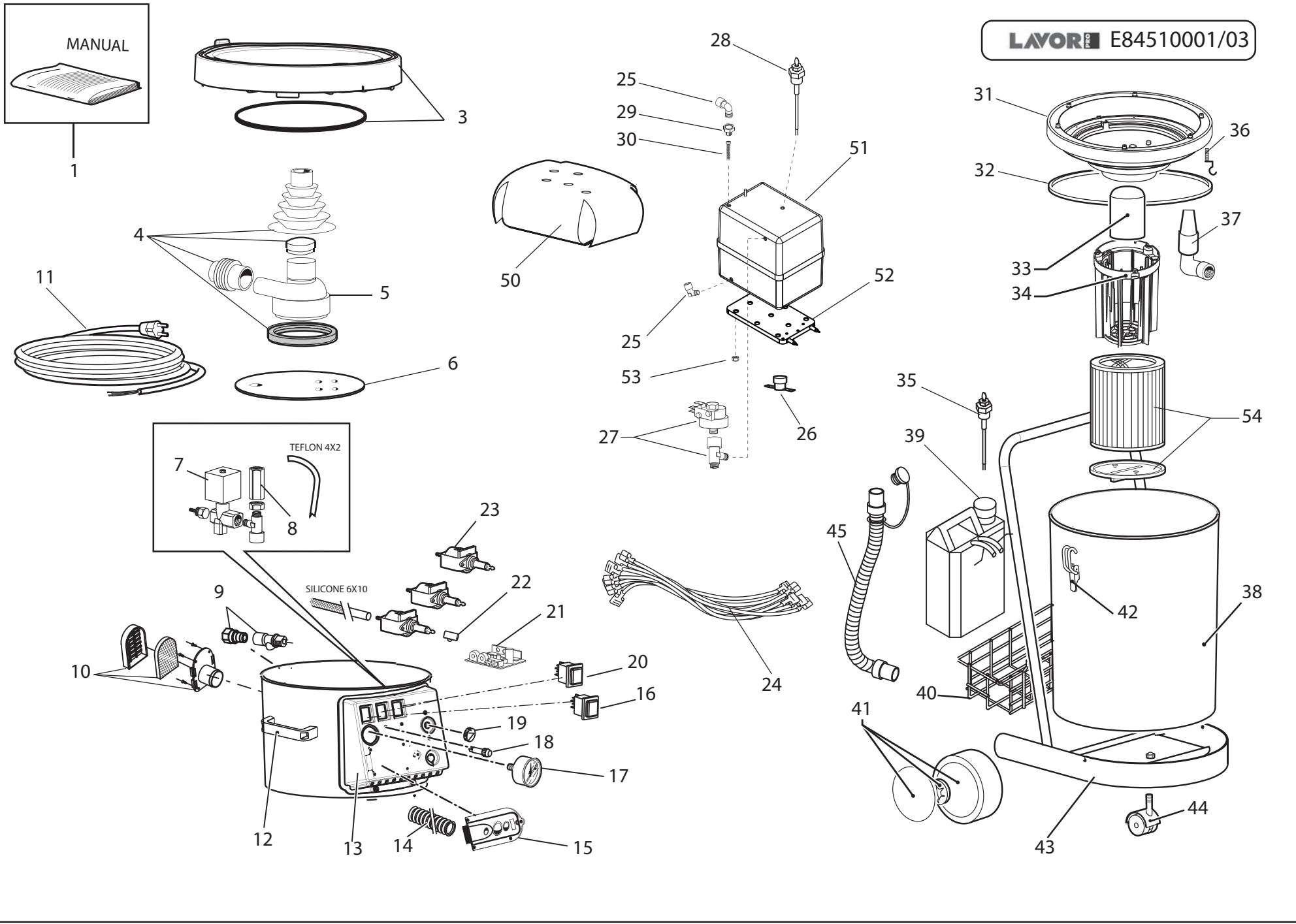




Rif.	DESCRIPTION
LV	STEAM LED
LA	WATER RESERVE LED
IG	MAIN SWITCH
IV	STEAM SWITCH
T1	SERVICE THERMOSTAT
T2	SAFETY THERMOSTAT
P	PRESSURE SWITCH
EL	ELECTRO-VALVE
PV	STEAM PUSHBUTTON
P2	DETERGENT PUMP
ID	DETERGENT SWITCH
IS	TANK SWITCH

MANUAL

LAVOR E84510001/03



Pos.	Code	Price	Q.ty per	Qty.	Description	Alternative	Price	Q.ty per	Description
001	7.400.0122	22.5	1	1	INSTRUCTION MANUAL		0	0	
003	6.405.0185	34.53	1	1	UPPER PLASTIC COVER KIT		0	0	
004	6.405.0186	62.07	1	1	KIT SEALS FOR THE ETNA MOTOR		0	0	
005	3.755.0053	75.2	1	1	BRUSH MOTOR 240V/50Hz 1200W XGV 3,3/4,4VAC		0	0	
006	4.407.0114	81.25	1	1	SUPPORT		0	0	
007	3.412.0030	128.61	1	1	VALVE		0	0	
008	3.106.0016	23.56	1	1	CHECK VALVE 1/4FF WITH SPRING(3020009)		0	0	
009	6.405.0189	50.2	1	1	KIT CONNECTION SPARE		0	0	
010	5.409.0083	22.92	1	1	COMPLETE BLOW SOCKET (300 1092)		0	0	
011	4.612.0052	22.49	1	1	CABLE H05VV-F 3X2.5 L.6000mmw/o PLUG		0	0	
012	4.208.0132	2.5	8	2	HANDLE FOR DRUM (ZEUS-DOMUS- TAURUS).		0	0	
013	4.408.0306	23.22	1	1	CONTROL PANEL GV ETNA BLACK COLOUR		0	0	
014	3.753.0062	14.1	2	0.25	HOSE SUPERFLEX CALOR D.33 (D MT30NE)		0	0	
015	6.405.0187	91.71	1	1	KIT SOCKET SPARE		0	0	
016	3.401.0112	6.7	3	1	BIPOLAR SWITCH 1-0-2 B419C11200+C BLACK		0	0	
017	3.107.0021	28.94	1	1	STEAM PRESSURE GAUGE D.40		0	0	
018	3.099.1431	11.25	2	2	RED LAMP		0	0	
019	3.099.0960	3.72	6	1	STEAM ADJUSTMENT KNOB (1 600360)		0	0	
020	5.009.0293	10.71	2	2	RED BACKLIGHTED SWITCH WITH PROTECTOR		0	0	
021	6.405.0205	88.04	1	1	KIT CIRCUIT BOARD FOR GV ETNA		0	0	
022	3.106.0019	23.56	1	3	BREATHER SS22 ULKA		0	0	
023	3.551.0036	27.58	1	3	DETERGENT PUMP ULKA	3.551.0014	44.88	1	GASOIL PUMP
024	4.412.0087	71.22	1	1	COMPLETE CABLE FOR ETNA 230 V		0	0	
025	3.100.0348	11.44	2	2	CONNECTION 90' BRASS 1/8 G EPDM (E2004047E)		0	0	
026	3.403.0201	11.12	2	2	THERMOSTAT		0	0	
027	3.403.0231	20	1	1	MANOSTAT 7BAR		0	0	
028	5.409.0048	8.15	3	1	SENSON LEVEL ASS. + HOSES+ JOIN		0	0	
029	3.099.1428	1.12	18	1	COUPLING 1/8 M/F FOR ETNA BOILER	4.406.0068	5	4	JOINT 1/8 M/F FOR INOX FILTER
030	4.407.0112	9.63	3	1	STEEL FILTER D.6X50 500 MICRON		0	0	
031	4.208.0293	22.92	1	1	MOTOR BASE x PROF.VACUUM CLEA.'03 (DARK		0	0	
032	4.215.0013	18.71	2	1	GASKET 410X445 EPDM 45 SH FORDOMUS - TAURUS	6.205.0070	56.76	1	GASKET KIT + VALVE
033	4.208.0096	5	4	1	FLOATING FOR DOMUS-TAURUS		0	0	
034	4.208.0075	22.92	1	1	BASKET FOR PROFESSIONAL VACUUMCLEANER		0	0	
035	3.403.0155	54	1	1	WATER LEVEL SENSOR		0	0	

**8.451.0101**

**R84510101-1**

**BOILER**



