

# LAVORWASH

## SERVICE

Parts

CODE

**8.204.0018**

DESCRIPTION

**ASPIRATORE GN 32 PRESA UTENSILI (LIDL  
BELGIO-OLANDA)**

REVISION

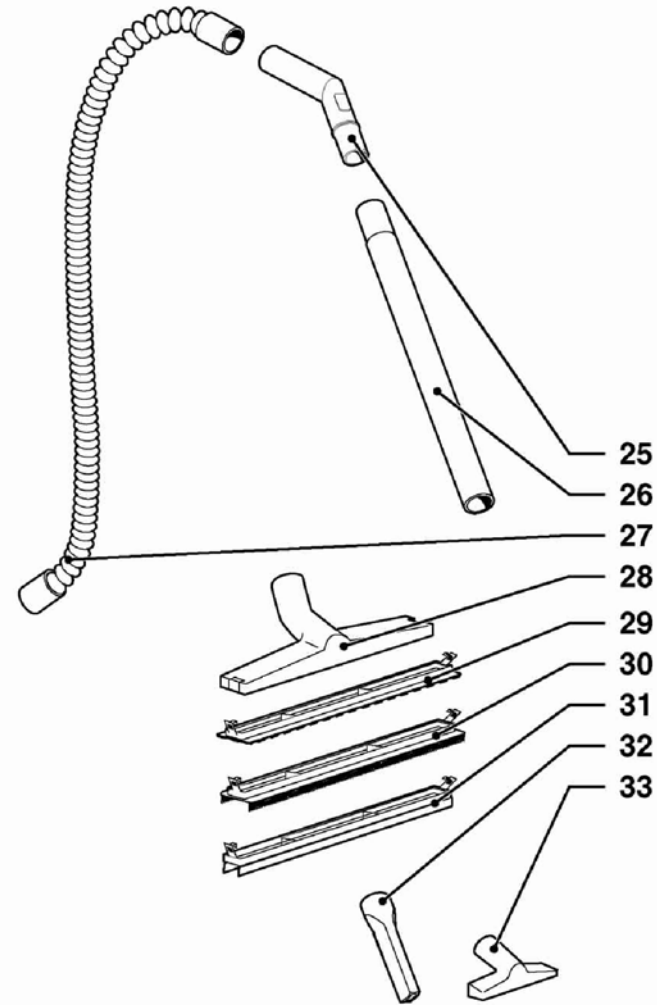
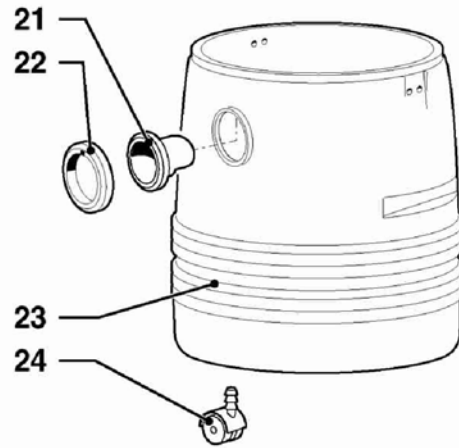
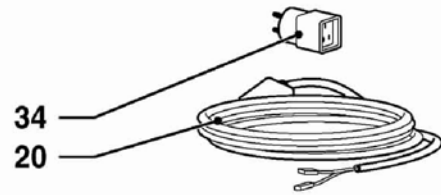
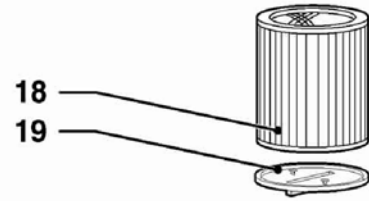
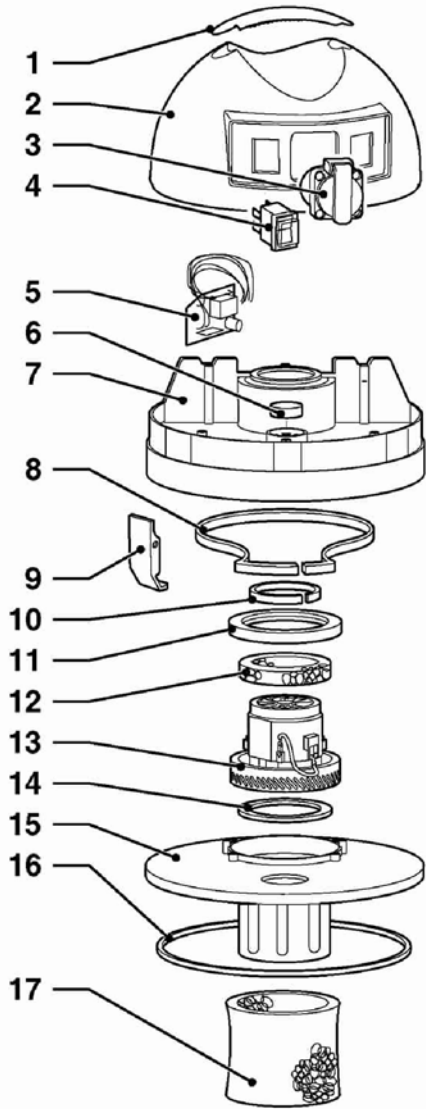
**23/7/2002**

VALIDITÀ

**WEEK 23 2013**

Exploded Drawing cod. E8204C001/01

by LAVORWASH



0500

Pos.	Code	Price	Q.ty per	Qty.	Description	Alternative	Price	Q.ty per	Description
001	4.208.0038	21.42	1	1	BLACK HANDLE FOR GB HEAD		0	0	
002	4.208.0037	21.42	1	1	BLACK 'GB' HEAD 2 SWITCHES + PLUG SEATS		0	0	
003	3.099.0138	21.42	1	1	GERMAN SOCKET SEAT 50x50 IP44COLOUR BLACK		0	0	
004	5.009.0213	10.71	2	2	SWITCH WITH PROTECTION 12(10)		0	0	
005	3.403.0026	30.58	1	1	ELECTRIC CIRCUITBOARD WITHOUTDELAY 2200W		0	0	
006	4.215.0008	3.54	7	1	CORK PL/45 D.51 SP.8 ESP.00		0	0	
007	4.208.0002	21.42	1	1	CONVEYOR FOR VACUUM CLEANER YELLOW		0	0	
008	4.215.0006	10.71	2	1	CONVEYER GASKET 835X28X10 PPI30 ESP.00		0	0	
009	4.208.0012	10.71	2	1	HOOK		0	0	
010	4.215.0003	4.25	6	1	FAN COVER GASKET		0	0	
011	4.208.0028	21.42	1	1	RUBBER GASKET FOR UNIV. MOTOR		0	0	
012	4.215.0007	10.71	2	1	GASKET		0	0	
013	3.755.0005	0	1	1	UNIVERSAL MOTOR 230V/50-60Hz 1200W	3.755.0070	29.46	1	BRUSH-MOTOR 230V/50-60 HZ 1400WITHOUT CABLE
014	4.215.0001	5.19	5	1	LOWER GASKET		0	0	
015	5.211.0001	21.42	1	1	LOWER CALOTTE		0	0	
016	4.215.0009	10.71	2	1	GASKET FOR LOWER CAP 9X5		0	0	
017	3.752.0032	7.23	3	1	FOAM FILTER		0	0	
018	3.752.0041	7	4	1	OPEN CARDRIGE FILTER FOR VACUUM CLEANER	5.212.0006	13.93	2	CARTRIDGE FILTER BOXED
019	4.208.0025	21.42	1	1	FIXING DISC FOR CARDRIGE FILTER		0	0	
020	4.012.0125	17.73	2	1	ELECTRIC CABLE 3X1,5 7,5 MT SCHUKO PLUG	4.012.0225	32.57	1	ELECTRIC CABLE 3x1, MT 7,5
021	4.208.0014	21.42	1	1	DEFLECTOR BAYONET FITTING FORGN		0	0	
022	4.208.0013	4.13	6	1	DEFLECTOR LOCKER RING GNM		0	0	
023	4.208.0030	19	2	1	BODY	5.209.0002	54.51	1	FUSTO GN-GNP 32 LT.30 GRIGIO COMPLETO DI
024	3.754.0017	5.36	4	4	REVOLVING TWINS WHEELS REIFORCED D.50		0	0	
025	3.753.0003	5.9	5	1	HANDLE D.35 FOR ACCESSORIES (BEND)		0	0	
026	3.753.0002	3.75	6	2	RIGID EXTENSION HOSE MT.0,45 D.35 (00100031)		0	0	
027	5.209.0015	30.83	1	1	COMPLETE HOSE MT.4 D.35	6.205.0017	26.78	1	4 MT. FLEX. HOSE SET + ROTATING CONNECTION
028	3.754.0001	10.71	2	1	BODY FOR ACCESSORIES D.35 (00050023)		0	0	
029	3.754.0013	10.71	2	1	CARPET TOOL		0	0	
030	3.754.0002	10.71	2	1	FLOOR BRISTLED TOOL		0	0	
031	3.754.0003	10.71	2	1	LIQUIDS TOOL (SPIVAL 00050024)		0	0	
032	3.754.0005	2.14	10	1	LANCE D.35 (SPIVAL 00100002)		0	0	
033	3.754.0004	2.14	10	1	TOOL D.35 (00100003)		0	0	

**8.204.0018**

**R82040018-1**

**ASPIRATORE GN 32 PRESA UTENSILI (LIDL BELGIO-OLANDA)**

