

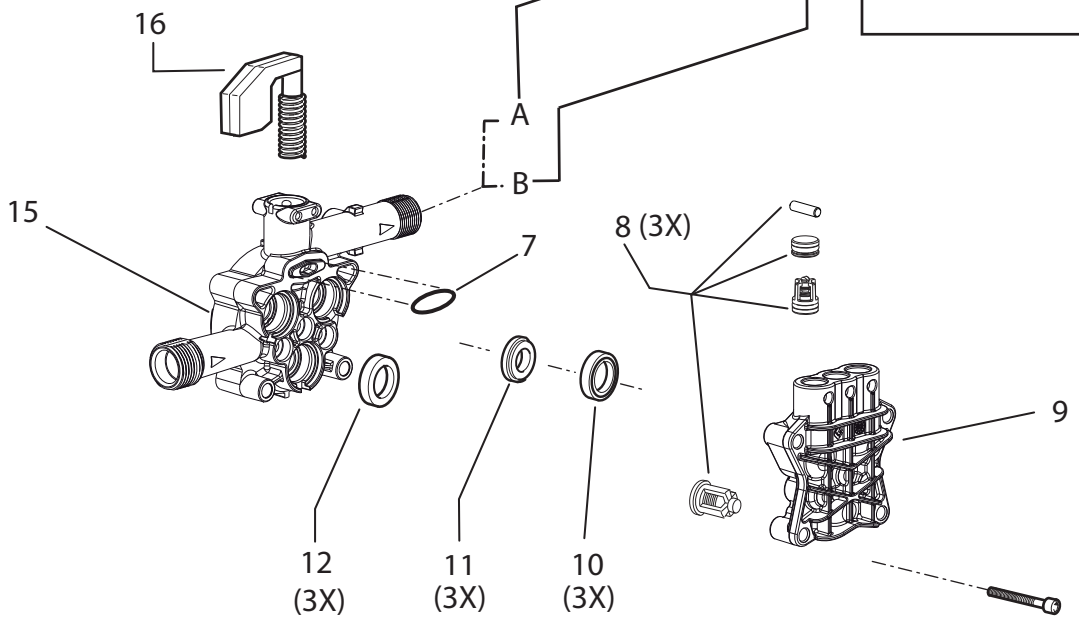
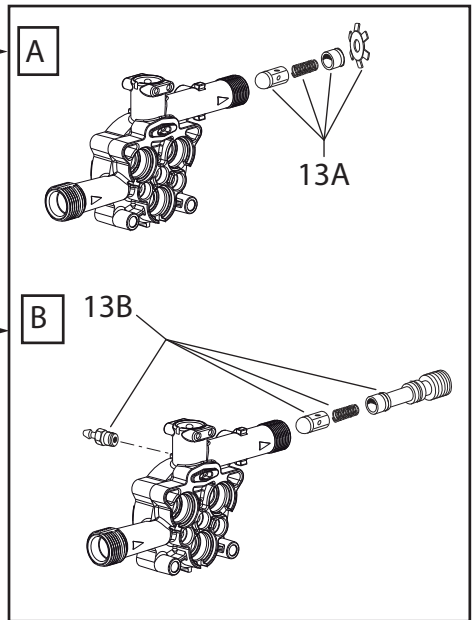
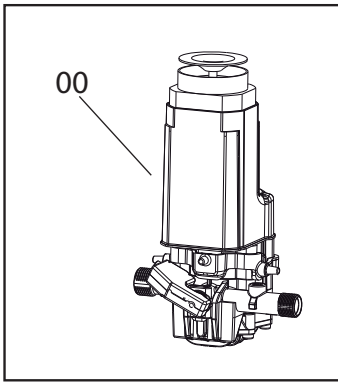
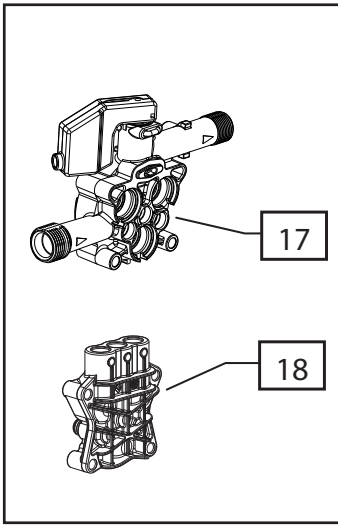
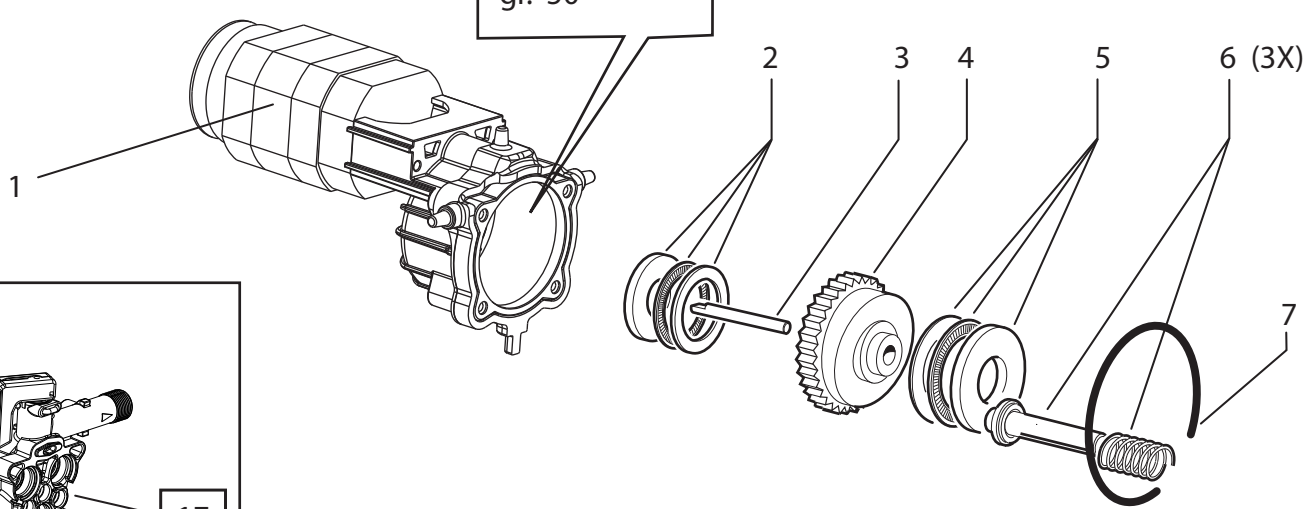
LAVORWASH

SERVICE

Parts

CODE	8.088.0024
DESCRIPTION	HPC WAVE JR 130 220-240/50-60-Y/B- TS EU 2L +2 BRUSHES LWS
REVISION	24/1/2013
VALIDITÀ	WEEK 26 2014

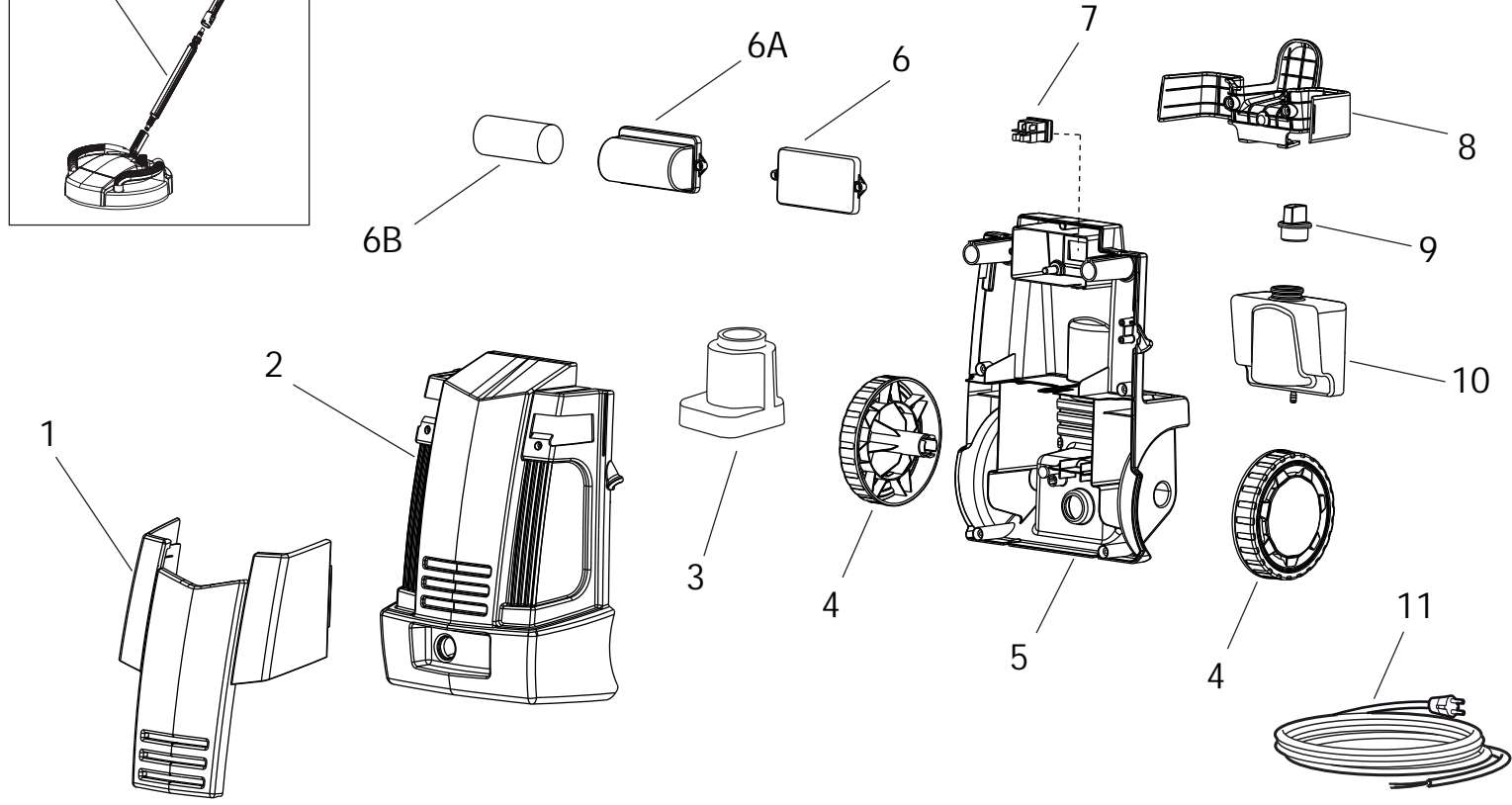
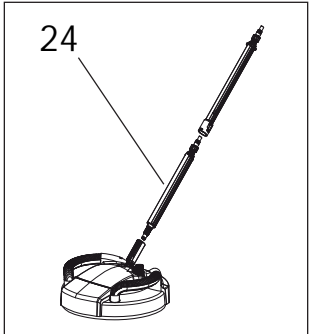
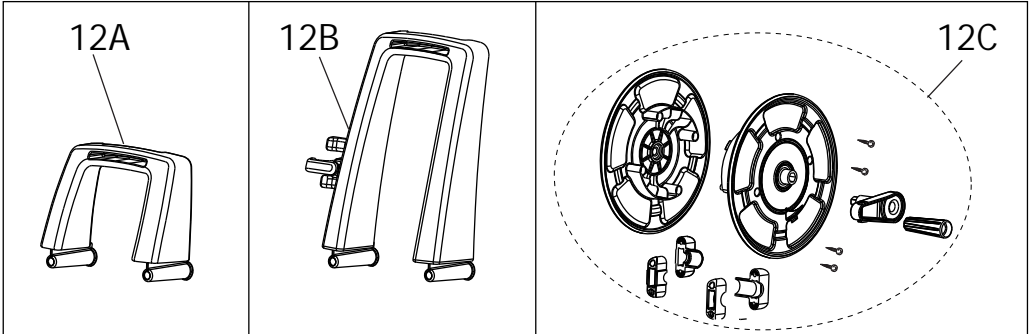
OIL:
SAE 15/W40
gr. 50






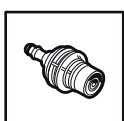



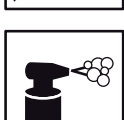
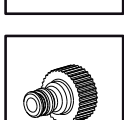


Torque couple
8 - 8,5 Nm

Pos.	Code	Price	Q.ty per	Qty.	Description	Alternative	Price	Q.ty per	Description
000	5.001.0719C	79.61	1	1	MOTORPUMP PT'03EVO 230/50 TS 4'45 SPRING 13KG		0	0	
001	5.009.0821	85.7	1	1	ASSEMBLY MOTOR PT'03 230/50 WITH CAPACITOR		0	0	
002	6.005.0311	4.73	5	1	THRUST RING KIT (PT'03 U76)		0	0	
003	4.007.0205	5.74	4	1	PIN 10X70		0	0	
004	5.009.0728	8.57	3	1	4'45 WOBBLE PLATE ASSEMBLY W/CROWN Z 62		0	0	
005	4.007.0328	11.46	2	1	THRUST BEARING 35X55X12 PT'03		0	0	
006	6.005.0181	22.49	1	1	KIT 167 LW PISTON		0	0	
007	6.005.0226	8.79	3	1	KIT 209 O-RING		0	0	
008	6.005.0392	21.63	1	1	KIT 358 LW HEAD VALVE KIT +CAPS PT'03EVO		0	0	
009	4.005.0298	21	1	1	PT'03EVO PARTNER HEAD		0	0	
010	6.005.0133	11.25	2	1	KIT 124 O-RING WATER SEAL PARTNER D.12		0	0	
011	6.005.0380	0	2	1	KIT 348 SPACER FOR WATER SEAL	6.005.0282	11.25	2	KIT 257 O-RING SEAL
012	6.005.0079	12.37	2	1	KIT 79 LW OIL SEALS		0	0	
13B	6.005.0277	3.77	6	1	KIT 252		0	0	
015	4.005.0300	21	1	1	PISTON BODY GUIDE PT'03EVO WITH SUCTION		0	0	
016	5.009.0716	21.42	1	1	COMPLETED VALVE TS PT'03 CABLEL=530 SPRING		0	0	
017	5.007.0249	42	1	1	BODY GUIDE ASSEMBLED PT'03EVOWITH		0	0	
018	5.008.0261	21.63	1	1	PT'03EVO HEAD D.12		0	0	

8.088.0024	R50010719C-1	MOTOP.SPAZZ.PT'03 ECO 230/50 4'45 TS MOLLA 9KG C/ASP.
------------	--------------	---



- 13 — 
- 14 — 
- 15 — 
- 16 — 
- 17 — 
- 18 — 
- 19 — 
- 20 — 
- 21 — 
- 22 — 
- 23 — 

Pos.	Code	Price	Q.ty per	Qty.	Description	Alternative	Price	Q.ty per	Description
001	4.008.1350	21.4	1	1	YELLOW FRONT COVER PANT.108C WAVE P80.0539		0	0	
002	4.013.0613	21.63	1	1	BLACK FRONT CABINET WAVE (FORUNIVERSAL		0	0	
003	4.008.1186	2.2	10	1	AIR CONVEYOR FOR U76 (LIGHT) -C-		0	0	
004	4.008.1339	3.86	6	2	BLACK WHEEL WAVE P80.0539		0	0	
005	4.013.0615	21.63	1	1	BLACK BACK COVER WAVE P80.0539(UNIV.MOTOR)		0	0	
006	4.008.1341	2.2	10	1	BLACK COVER FOR ELECTRICAL BOXWAVE		0	0	
007	3.401.0178	5.26	4	1	SWITCH 0/1 BLACK BOTTON IP55 12/10		0	0	
008	4.008.1338	3.65	6	1	YELLOW CABLE REEL WAVE P80.0539 PANT.108C		0	0	
009	4.608.0027	7.55	3	1	BLACK PLUG D.30 FOR TANK		0	0	
010	4.008.1340	11.02	2	1	NEUTRAL TANK WAVE P80.0539		0	0	
011	4.012.0174	22.49	1	1	CABLE H05VV-F 2X1 MT.5,4 F/F SCHUKO PLUG		0	0	
12B	4.008.1334	22.04	1	1	BLACK HIGH HANDLE WAVE P80.0539		0	0	
013	6.001.0073	26.22	1	1	GUN S'09 WITH INTEGRAL QUICK JOINT LAVOR		0	0	
014	4.018.0095	22.45	1	1	HOSE 1/4 160BAR L=6000 M22x1,5D.15-RAPID FIX		0	0	
017	6.002.0340	8.4	3	1	LANCE S'12 WITHOUT NOZZLE HEADWITH QUICK		0	0	
018	6.002.0341	6.3	4	1	NOZZLE HEAD LANCE S'12 D.0,9 WITH QUICK		0	0	
019	6.002.0346	7.35	3	1	ROTOX NOZZLE HEAD LANCE S'12 D.1,025 WITH		0	0	
020	3.601.0033	12.52	2	1	FIX BRUSH WITH ADAPT.REINFORCED COGETIL		0	0	
021	3.601.0074	23.35	1	1	BLACK/YELLOW ROTATING BRUSH		0	0	
023	3.100.0405	7.17	3	1	TRANSPARENT QUICK COUPLING INLET		0	0	

8.088.0024	R80880024-1	CHASSIS
-------------------	--------------------	----------------

