

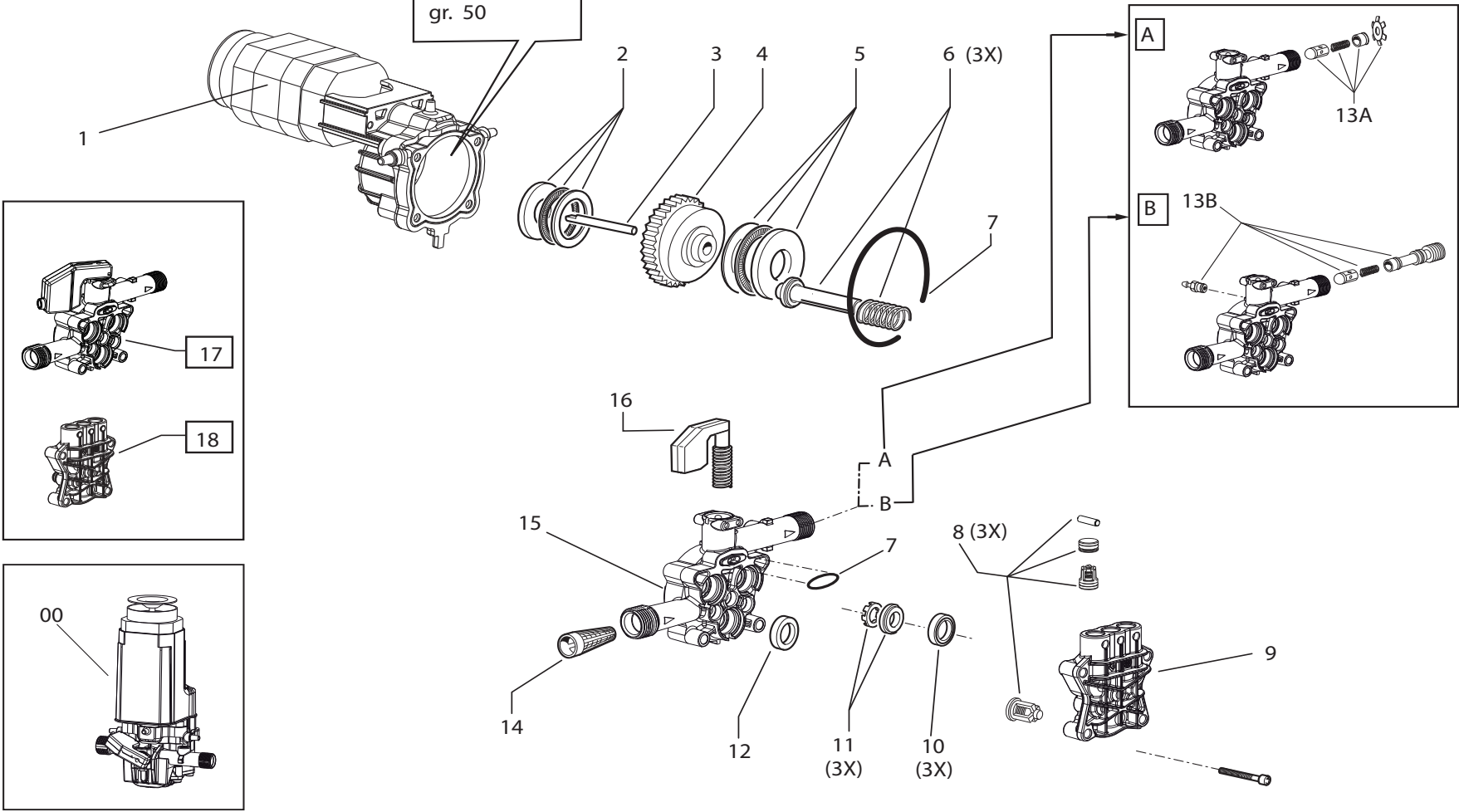
LAVORWASH

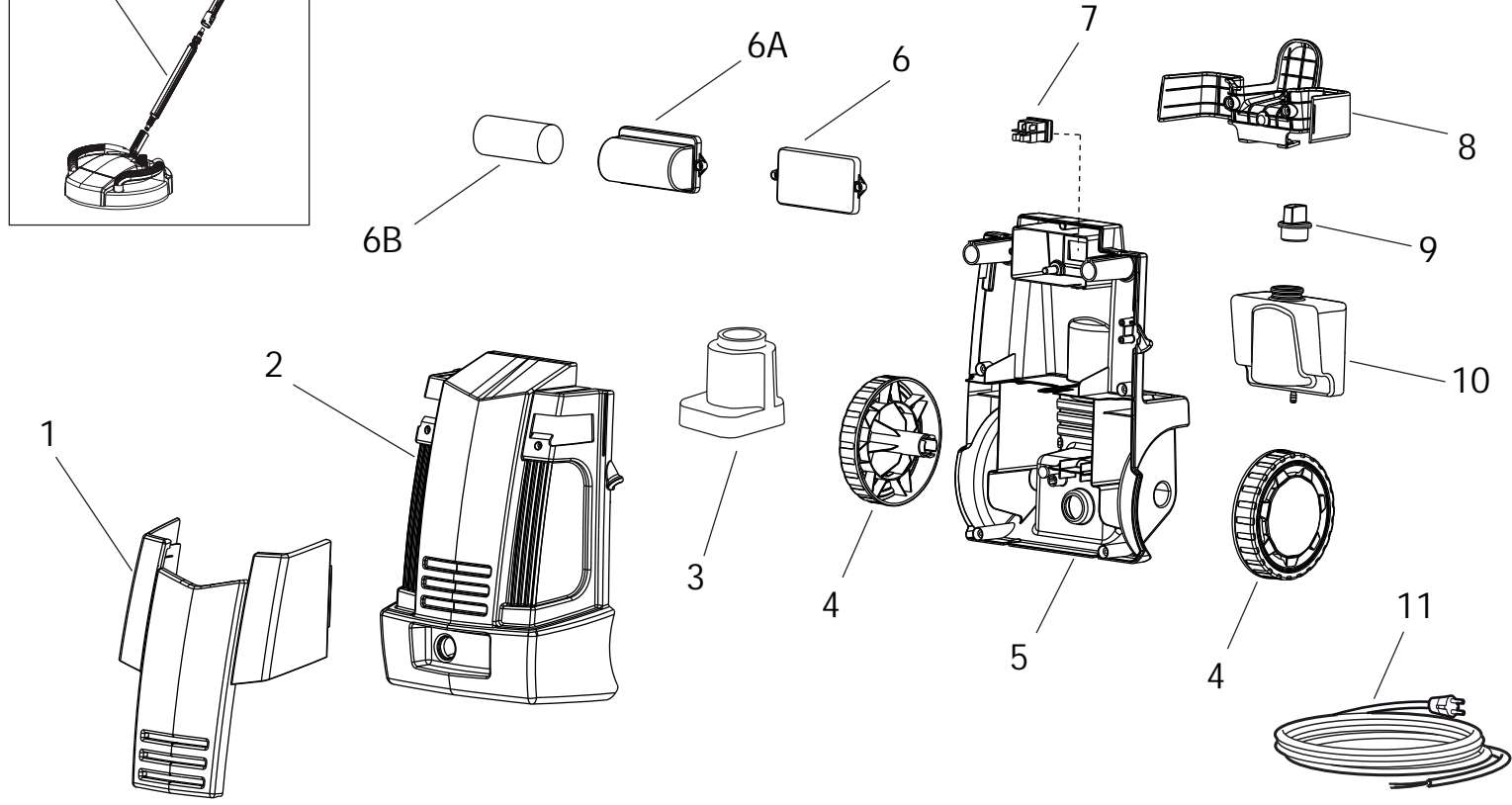
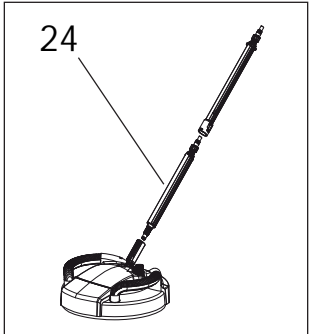
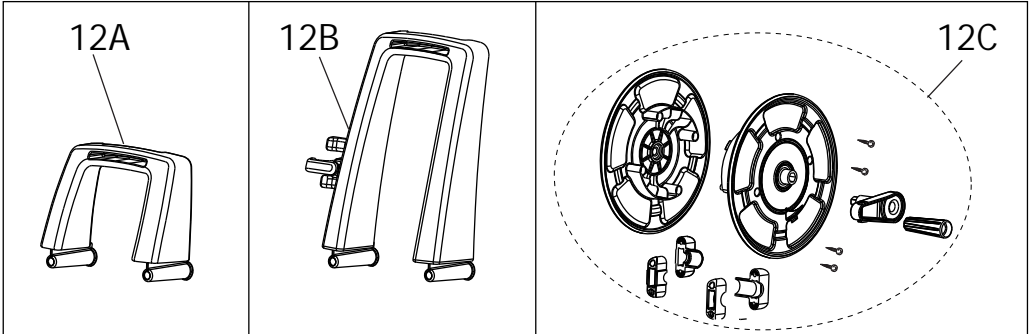
SERVICE






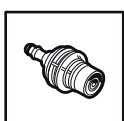



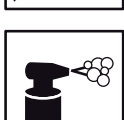
Parts

| | |
|-------------|---|
| CODE | 8.088.0006C |
| DESCRIPTION | HPC WAVE UP125 220-240/50-60 -Y/B- TS EU 2L +FIX BRUSH LWS - |
| REVISION | 13/6/2012 |
| VALIDITÀ | WEEK 40 2013 |

OIL:
SAE 15/W40
gr. 50





- 13 — 
- 14 — 
- 15 — 
- 16 — 
- 17 — 
- 18 — 
- 19 — 
- 20 — 
- 21 — 
- 22 — 
- 23 — 