

LAVORWASH

SERVICE

Parts

CODE

8.087.0001C

DESCRIPTION

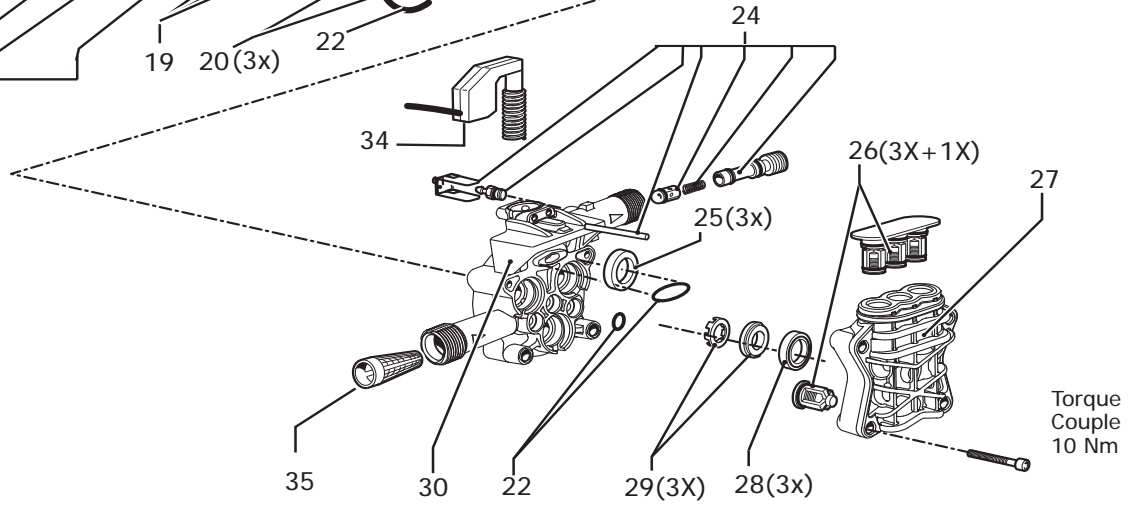
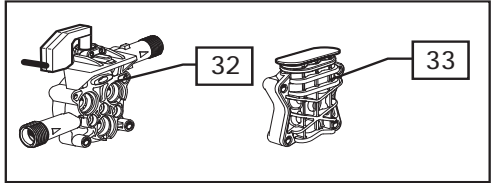
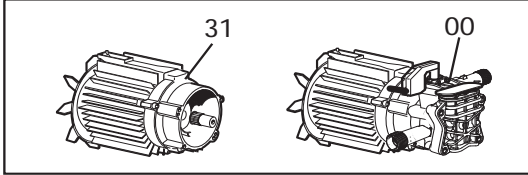
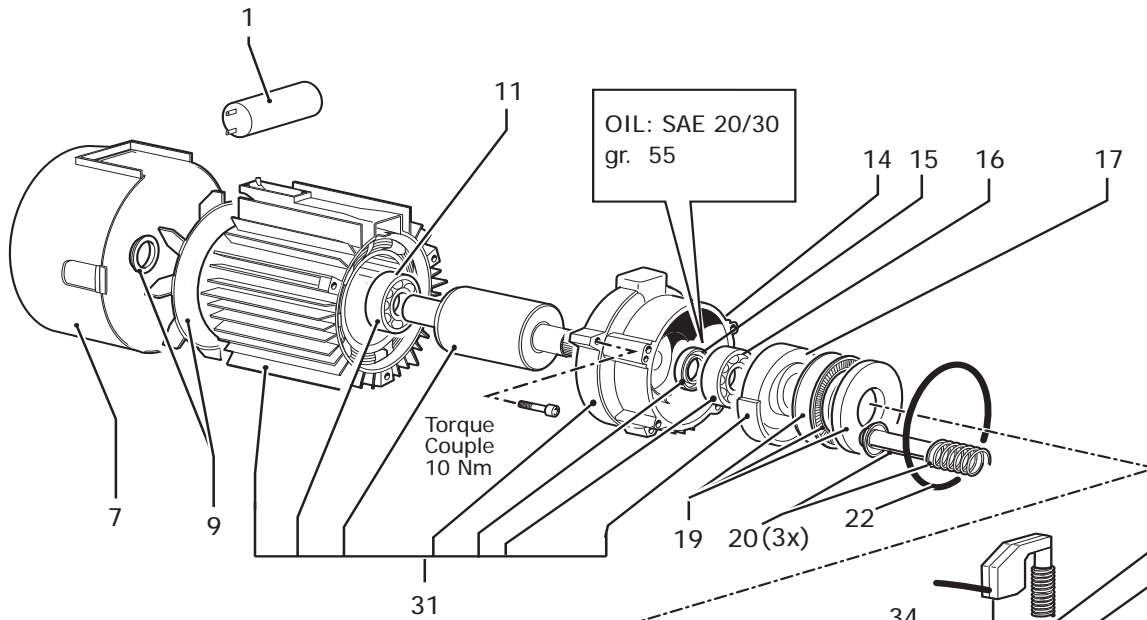
HPC iCLEAN 140 230V/50HZ TS +2 LANCES LWS

REVISION

5/8/2010

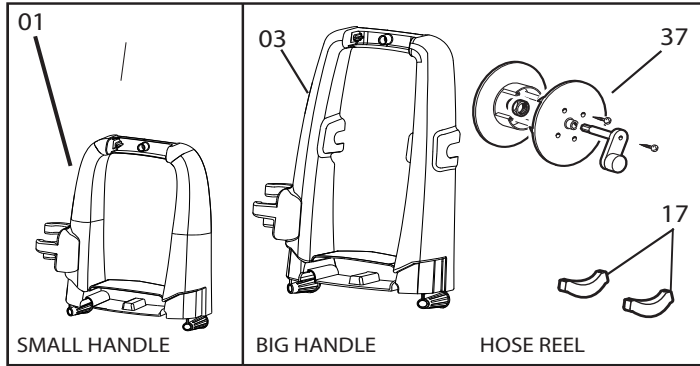
VALIDITÀ

WEEK 24 2014

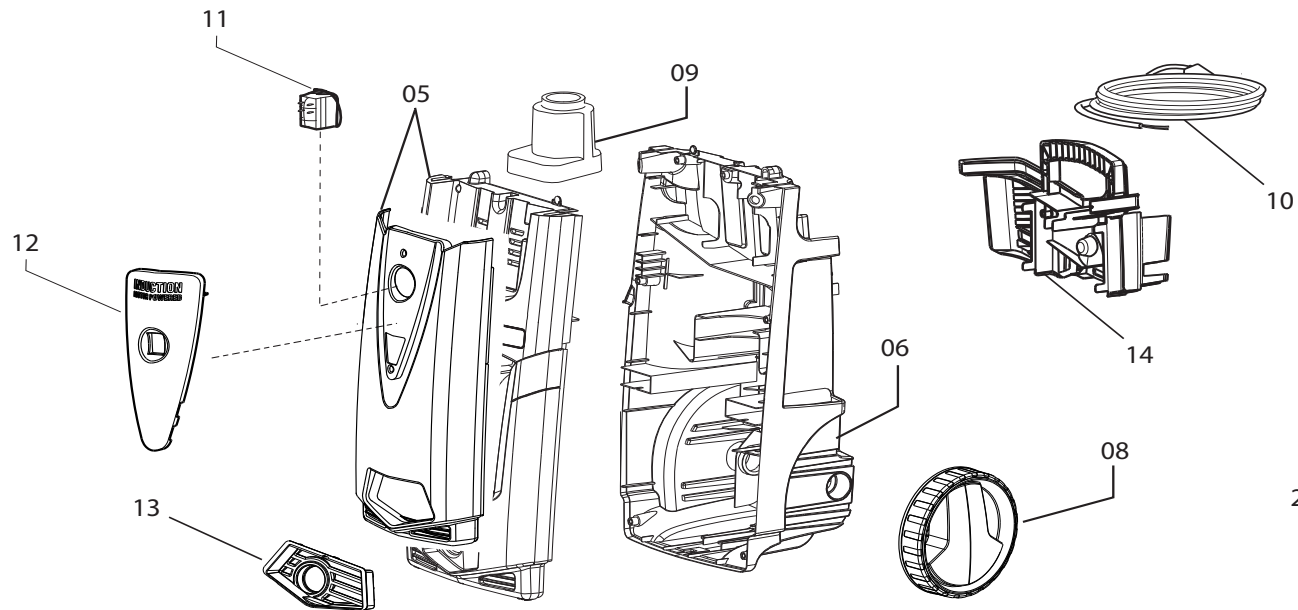


Pos.	Code	Price	Q.ty per	Qty.	Description	Alternative	Price	Q.ty per	Description
000	5.001.0676C	176.93	1	1	MOTOR PUMP PT'03 110h80 230-240/50 D.12 8°30 TS		0	0	
001	3.404.0016	10.53	2	1	CAPACITOR 45 mF 450V D.45X90 WITHOUT CABLE		0	0	
007	4.008.0583	11.46	2	1	MOTOR FAN COVER '96 WITHOUT GRILL		0	0	
009	4.008.0857	4.58	5	1	FAN D.127,5		0	0	
011	3.001.0033	2.5	8	1	BALL BEARING 6003 2RS (17x35x10)		0	0	
014	4.005.0277	0	2	1	MOTOR GEAR D.110-'10 PT'03 WITHOUT THREAD		0	0	
015	3.201.0008	5.58	4	1	OIL SEALING RING D. 17X35X7		0	0	
016	3.001.0030	23.14	1	1	RADIAL		0	0	
017	4.005.0278	5	4	1	WOBBLE PLATE 8'30 PT'03		0	0	
019	4.007.0328	11.46	2	1	THRUST BEARING 35X55X12 PT'03		0	0	
020	6.005.0181	22.49	1	1	KIT 167 LW PISTON		0	0	
022	6.005.0226	8.79	3	1	KIT 209 O-RING		0	0	
024	6.005.0210	12.89	2	1	KIT 193 LW VALVE GUIDE RID.+PO RTAG.PT'03		0	0	
025	6.005.0079	12.37	2	1	KIT 79 LW OIL SEALS		0	0	
026	6.005.0184	11.25	2	1	KIT 170 LW HEAD VALVE KIT		0	0	
027	4.005.0210	7.95	3	1	'03 PARTNER HEAD		0	0	
028	6.005.0133	11.25	2	1	KIT 124 O-RING WATER SEAL PARTNER D.12		0	0	
029	6.005.0282	11.25	2	1	KIT 257 O-RING SEAL		0	0	
030	4.005.0211	24.75	1	1	PISTON BODY GUIDE PT'03 WITH HOLE FOR		0	0	
031	5.009.0749C	129.06	1	1	MOTOR ASSEMBLY 09 D110H80 230-240/50 -C-		0	0	
032	5.007.0192	64.22	1	1	GUIDE BODY PARTNER'03 PISTON D.12		0	0	
033	5.008.0182	20.8	1	1	'03 PARTNER HEAD D.12	5.008.0182C	22.49	1	PUMP HEAD PARTNER '03 D.12
034	5.009.0716	21.42	1	1	COMPLETED VALVE TS PT'03 CABLEL=530 SPRING		0	0	
8.087.0001C	R50010676C-1				MOTORPUMP PT'03 110H80 230-240/50 D.12 TS V.COMP				

MODELS



LAVOR E8087C001/01



- 26
- 27
- 28
- 29
- 30
- 31
- 32
- 33
- 38



