

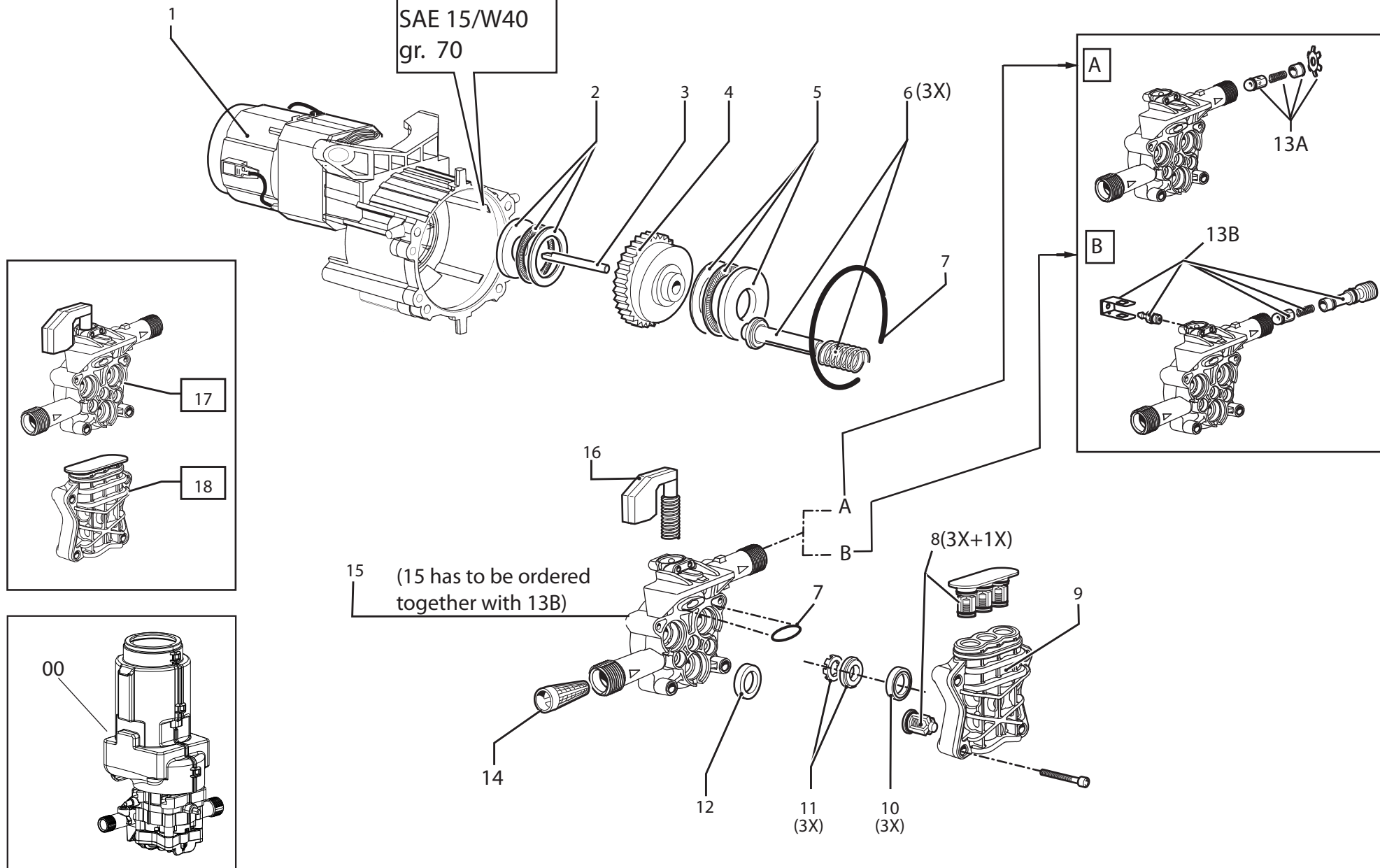
LAVORWASH

SERVICE

Parts

CODE	8.085.0003C
DESCRIPTION	HPC JD 120 230/50-60 -Y- TS EULWS -C-
REVISION	11/6/2010
VALIDITÀ	WEEK 38 2014

OIL:
SAE 15/W40
gr. 70



Pos.	Code	Price	Q.ty per	Qty.	Description	Alternative	Price	Q.ty per	Description
000	5.001.0646C	72	1	1	MOTORPUMP PT'03 230/50 TS 4'45 SPRING 9KG	5.001.0717C	78.75	1	MOTORPUMP PT'03EVO 230/50 TS 4'45 SPRING 13KG
001	5.009.0727	77.13	1	1	ASSEMBLY MOTOR PT'03 230/50 WITH CAPACITOR		0	0	
003	4.007.0205	5.74	4	1	PIN 10X70		0	0	
004	5.009.0728	8.57	3	1	4'45 WOBBLE PLATE ASSEMBLY W/CROWN Z 62		0	0	
005	6.005.0087	7.91	3	1	THRUST RING KIT (PT'03 INDUCTION/U88)		0	0	
006	6.005.0181	22.49	1	1	KIT 167 LW PISTON		0	0	
007	6.005.0226	8.79	3	1	KIT 209 O-RING		0	0	
008	6.005.0184	11.25	2	1	KIT 170 LW HEAD VALVE KIT		0	0	
009	4.005.0210	7.95	3	1	'03 PARTNER HEAD		0	0	
010	6.005.0133	11.25	2	1	KIT 124 O-RING WATER SEAL PARTNER D.12		0	0	
011	6.005.0134	11.25	2	1	KIT 125 O-RING SEAL		0	0	
012	6.005.0079	12.37	2	1	KIT 79 LW OIL SEALS		0	0	
13A	6.005.0281	11.25	2	1	KIT 256 VALVE GUIDE RID. W/OSUCTION PT'03C		0	0	
014	4.008.0031	1.14	18	1	INLET WATER FILTER H2O D.16 CONICAL		0	0	
015	5.009.0676	24.74	1	1	ASSEMBLY BODY GUIDE WITHOUT SUCTION		0	0	
016	5.009.0680	21.42	1	1	COMPLETED VALVE TS PT'03 CABLEL=530 SPRING		0	0	
017	5.007.0192	64.22	1	1	GUIDE BODY PARTNER'03 PISTON D.12		0	0	
018	5.008.0182	20.8	1	1	'03 PARTNER HEAD D.12	5.008.0182C	22.49	1	PUMP HEAD PARTNER '03 D.12

8.085.0003C	R50010646C-1	MOTORPUMP PT'03 230/50 4'45 TS
--------------------	---------------------	---------------------------------------

Exploded drawing E8041C001/01

by LAVORWASH

