

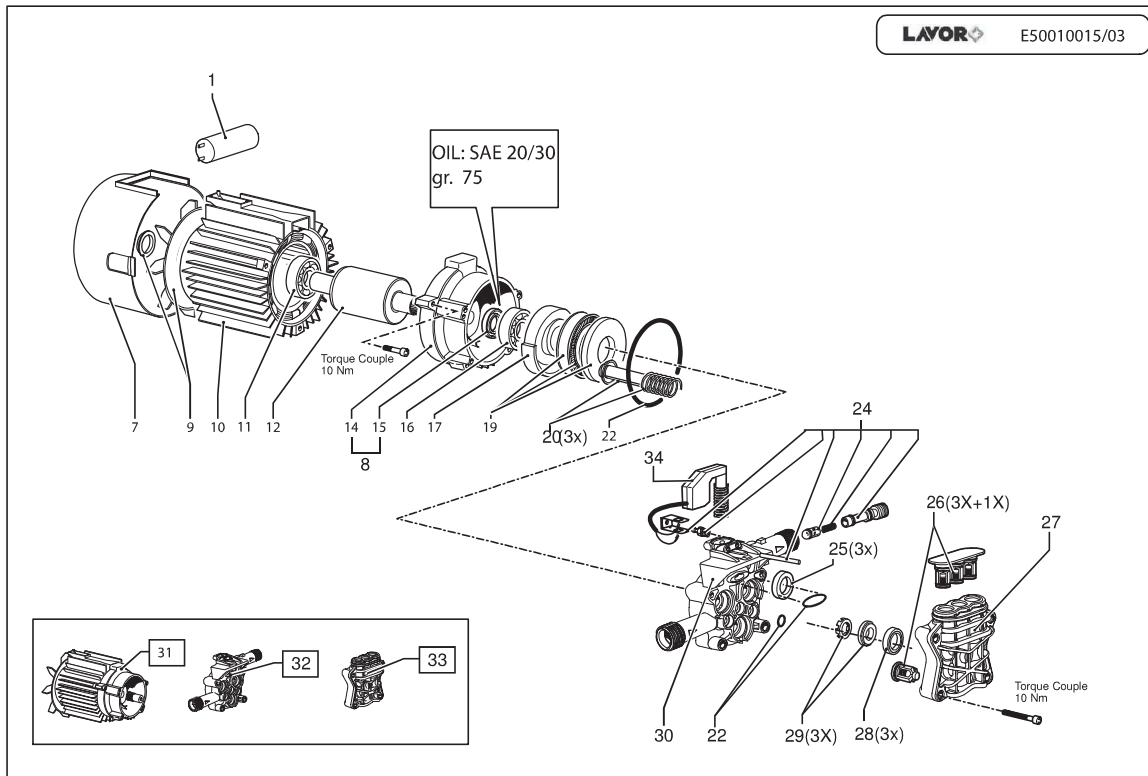
LAVORWASH
SERVICE

ERSATZTEILLISTE

Code R80740004-1
Beschreibung CHASSIS

Anfangsdatum 7/3/2006
Schlussdatum 1/1/3000
Tafel E8074C001-01

Pos.	Code	Preis	Menge pro	Menge.	Beschreibung	Alternative	Preis	M
001	4.013.0505	20	1	1	CARENATURA ANTER.RUNNER -G- RAL.1018 X MOTORE		0	0
002	4.007.0291	20	1	1	FASCIA FISSAGGIO MOTOP.MACH D.110 ESP.04		0	0
003	5.001.0533	183.12	1	1	MOTOP.PT'03 110h100 230-240/50D.12 9'35 TS IN.1,7 (MACH)		0	0
004	6.005.0235	20	1	1	KIT 218 LW PORTACCESSORI MACH/MHR/RUNNER		0	0
005	5.009.0213	10	2	1	SCHALTER IHRE ART.414096001		0	0
006	6.005.0237	28.02	1	1	KIT 220 LW MANICO RUNNER		0	0
007	6.005.0233	20	1	1	KIT 216 LW SEMIAVV. DX+SX +MANOVELLA +VITI RUNNER		0	0
008	4.018.0066	20	1	1	TUBO 1/4 160BAR L=900 X AVV.HWC/PERNO/OR/SEEGER ESP.02		0	0
009	5.011.0084	20	1	1	ASS.SERBATOIO MACH NERO +TAPPO		0	0
010	4.012.0149	20	1	1	CAVO H05VV-F 3X1 MT.5,4 SP.SCHUKO F/F ANTISPRUZZO ESP.03		0	0
011	6.005.0236	20	1	1	KIT 219 LW RUOTE+FERMO MHR/RUNNER/LM		0	0
012	4.007.0290	20	1	1	ASSALE FISSAGGIO RUOTE MACH LUNG.287 DIAM.8 ESP.01		0	0
013	4.018.0073	30	1	1	TUBO 1/4 160BAR L=8000 1/4F. 3/8 F. 90'ESP.02		0	0
014	6.001.0046	23	1	1	PISTOLE S'01 -EU- ESP.00 1 19	6.001.0067	32.55	1
015	6.002.0190	17.51	2	1	LANCIA S'99 1,05 A/B (GRIGIO)ESP.01	6.002.0191C	17.51	2
016	6.002.0230	20	1	1	LANCIA ROTOX S01 1,10 (VERDE)ESP.01	6.002.0327	25.24	1
017	4.008.0031	1	20	1	FILTERSIEB DM16 H20		0	0
018	4.008.0986	10	2	1	CARENATURA POST.MACH X RUOTE D.180		0	0



LAVORWASH
SERVICE

ERSATZTEILLISTE

Code R50010533-1
Beschreibung MOTOR+PUMP

Anfangsdatum 7/3/2006
Schlussdatum 1/1/3000
Tafel E50010015-03

Pos.	Code	Preis	Menge pro	Menge e.	Beschreibung	Alternative	Preis	M	P
000	5.001.0533	183.12	1	1	MOTOP.PT'03 110h100 230-240/50D.12 9'35 TS IN.1,7 (MACH)		0	0	0
001	3.404.0017	20	1	1	KONDENSATOR		0	0	0
007	4.008.0922	2.54	10	1	COPRIVENTOLA X MOTORE '96 S/GRIGLIA S/FINESTRE ESP.00		0	0	0
008	5.009.0533	20	1	1	FLANGIA ANTER. PT'03 D.110 C/AN.TEN.		0	0	0
009	4.008.0714	20	1	1	VENTOLA PARTNER RIBASSATA h24GRIGIA ESP.00		0	0	0
010	5.002.0129	90.1	1	1	CARCASSA'02 D110 h100 230-240/50 2P (FILI LUNGHI)		0	0	0
011	3.001.0033	20	1	1	RADIALKUGELLAGER 60032RS (17x35x10) 4		0	0	0
012	5.005.0049	30.23	1	1	ALBERO ROTORE D.55 H.100 CIL.ESP.01		0	0	0
014	4.005.0219	12.98	2	1	FLANGIA ANTER. D.110 PT'03 ESP.01	5.009.0533	20	1	0
015	3.201.0008	4.96	6	1	SIMMERINGE		0	0	0
016	3.001.0030	20.58	1	1	CUSCINETTO RADIALE A SFERE 6303 (17X47X14)		0	0	0
017	4.005.0218	5.73	4	1	PIATTELLO INCLINATO 9'35 PT'03 ESP.02		0	0	0
019	6.005.0087	20	1	1	KIT 87 LW GABBIE RULLINI PERMOTOP. FIBRA/PT'03		0	0	0
020	6.005.0181	20	1	1	KIT 167 LW 3 PISTONI +MOLLE PT'03		0	0	0
022	6.005.0226	20	1	1	KIT 209 O-RING PER PT'03		0	0	0
024	6.005.0183	11.33	2	1	KIT 169 LW INIETTORE 1,7 +PORTAG.+VALV.RITEGNO PT'03		0	0	0
025	6.005.0079	11	2	1	KIT 79 LW ANELLI TENUTA OLIOX PARTNER D.12/FIBRA		0	0	0
026	6.005.0184	10	2	1	KIT 170 LW VALV.ASP./MAND.PT'03		0	0	0
027	4.005.0210	20	1	1	ZYLINDERKOPF PARTNER'03 LAV. ESP.02 1 16		0	0	0
028	6.005.0133	10	2	1	KIT 124 ANELLI TENUTA ACQUA PARTNER D.12		0	0	0

Code R50010533-1
Beschreibung MOTOR+PUMP

Anfangsdatum 7/3/2006
Schlussdatum 1/1/3000
Tafel E50010015-03

Pos.	Code	Preis	Menge pro	Menge	Beschreibung	Alternative	Preis	M	P
029	6.005.0134	10	2	1	KIT 125 LW ANELLI APP.TENUTAOTTONE + DISTANZIALI PT D.12		0	0	0
030	4.005.0211	22	1	1	FUEHRUNGSKOERPER KOLBEN PARTNEER'03 ESP.05 1 25		0	0	0
031	5.006.0178	111.09	1	1	MOTORE'03 D.110 H100 230-240/50 (FILI LUNGHI)		0	0	0
032	5.007.0187	54.94	1	1	CORPO GUIDA PT'03 PIST.D.12 C/TS-ASP.-VALV.COMP.-M.13KG		0	0	0
033	5.008.0182	20	1	1	ZYLINDERKOPF PARTNER '03 D.121 30		0	0	0