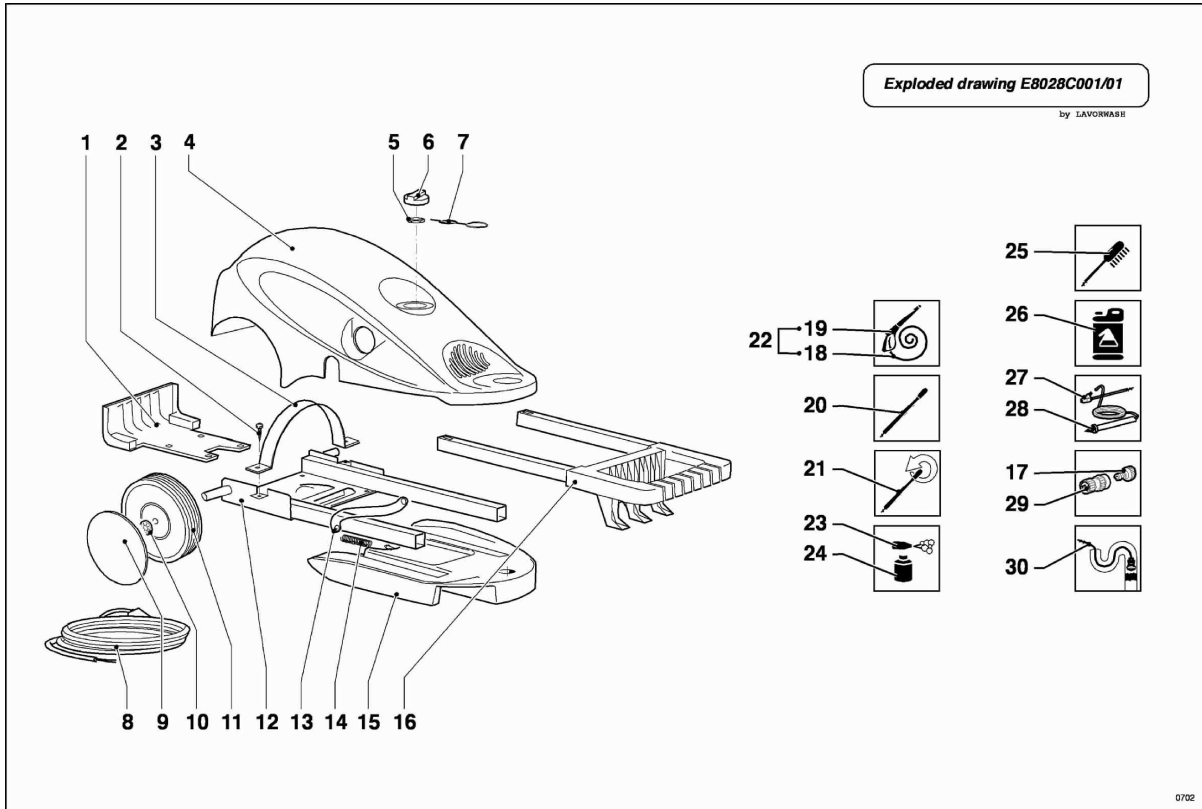


Exploded drawing E8028C001/01

by LAVORWASH



0702



ERSATZTEILLISTE

Code R80280603-2
 Beschreibung IDRO LP 20 230/50 -G- TS
 LWS+ROTOX +SPAZZ.FISSA

Anfangsdatum 1/7/2003
 Schlussdatum 1/1/3000
 Tafel E8028C001/01

| Pos. | Code | Preis | Menge pro | Menge. | Beschreibung |
|------|------------|-------|-----------|--------|---------------------------------------|
| 001 | 4.008.0491 | 0 | 1 | 1 | UNTERE AUFLAGE |
| 002 | 3.002.0102 | 0 | 50 | 2 | SCHRAUBE |
| 003 | 4.007.0189 | 0 | 1 | 1 | FIXIERENDE BAND |
| 004 | 4.013.0270 | 0 | 1 | 1 | GEHAEUSE LP GELB |
| 005 | 4.006.0038 | 0 | 1 | 1 | NUTMUTTER FUER GEHAEUSE |
| 006 | 4.008.0041 | 0 | 1 | 1 | DRUCKEINSTELLKNOPF |
| 007 | 4.007.0114 | 0 | 25 | 1 | REINIGUNGSSNADELN |
| 008 | 4.012.0149 | 0 | 1 | 1 | CAVO H05VV-F 3X1 MT.5,4 SP.SCHUKO F/F |
| 009 | 3.099.0073 | 0 | 2 | 2 | RADDECKEL |
| 010 | 3.099.0051 | 0 | 5 | 2 | SICHERUNGSRINGE |
| 011 | 3.006.0023 | 0 | 1 | 2 | RAD KOMPLETT |
| 012 | 5.013.0035 | 0 | 1 | 1 | WAGEN MIT GRIFF FUER LP |
| 013 | 4.008.0444 | 0 | 1 | 1 | SCHLACUH FUER WASCHMITTEL |
| 014 | 4.607.0128 | 0 | 1 | 1 | FEDER |
| 015 | 5.011.0045 | 0 | 1 | 1 | TANK |
| 016 | 4.008.0168 | 0 | 1 | 1 | TRANSPORTGRIFF KPL. |
| 017 | 3.100.X005 | 0 | 10 | 1 | SCHNELLSCHALTKUPPLUNG 3/4 SCHWARZ MIT |
| 018 | 4.018.0028 | 0 | 1 | 1 | SCHLAUCH 8 MT. |
| 019 | 6.001.0046 | 0 | 1 | 1 | PISTOLE S'01 -EU- ESP.00 1 19 |
| 020 | 6.002.0215 | 0 | 1 | 1 | LANCIA S'99 1,025 A/B (NERO) ESP.00 |



ERSATZTEILLISTE

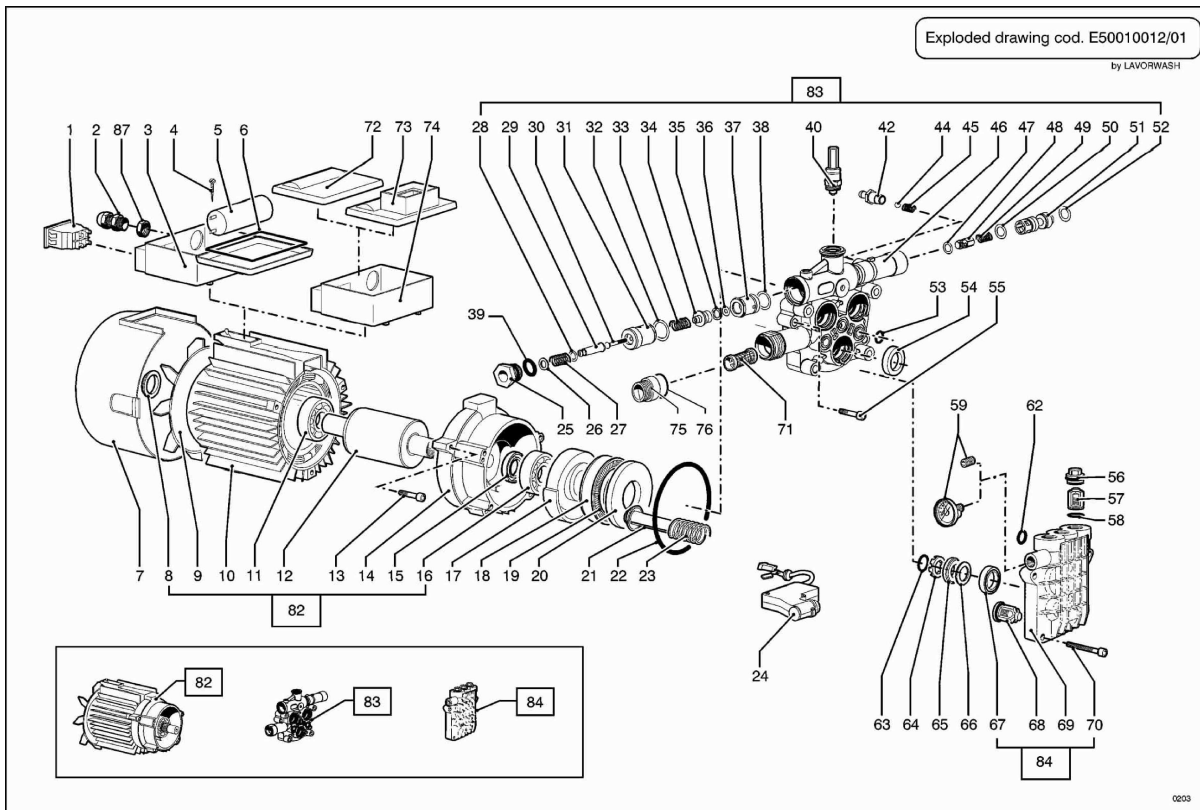
Code R80280603-2
Beschreibung IDRO LP 20 230/50 -G- TS
LWS+ROTOX +SPAZZ.FISSA

Anfangsdatum 1/7/2003
Schlussdatum 1/1/3000
Tafel E8028C001/01

| Pos. | Code | Preis | Menge pro | Menge. | Beschreibung |
|------|------------|-------|-----------|--------|---------------------------------------|
| 021 | 6.002.0230 | 0 | 1 | 1 | LANCIA ROTOX S01 1,10 (VERDE)ESP.00 |
| 025 | 3.601.0033 | 0 | 1 | 1 | FIXE HOCHDRUCKBUERSTE UND ADAPPTER CO |

Exploded drawing cod. E50010012/01

by LAVORWASH



0203



ERSATZTEILLISTE

Code R50010453-1
 Beschreibung MOTOPOMPA PT 230/50 D.12
 8.30110h100 REG.IN.D.1,8 TS

Anfangsdatum 1/7/2003
 Schlussdatum 1/1/3000
 Tafel E50010012/01

| Pos. | Code | Preis | Menge pro | Menge. | Beschreibung |
|------|------------|-------|-----------|--------|--|
| 001 | 5.009.0213 | 0 | 1 | 1 | SCHALTERIHRE ART.414096001 |
| 002 | 3.406.0004 | 0 | 5 | 1 | KABELSBESCHWERER |
| 003 | 3.406.0011 | 0 | 10 | 1 | NUTMUTTER |
| 004 | 3.002.0135 | 0 | 10 | 2 | SCHRAUBE 2,9X13 |
| 005 | 3.404.0016 | 0 | 1 | 1 | CONDENSATORE 45 mF 450V D.45x93 S/CAVETTI |
| 006 | 4.008.0618 | 0 | 1 | 1 | GUARNIZIONE INFERIORE GOMMA XSCATOLA |
| 007 | 4.008.0583 | 0 | 1 | 1 | COPRIVENTOLA X MOTORE '96 SENZA GRIGLIA ESP.02 |
| 008 | 3.099.0049 | 0 | 5 | 1 | DRAHTSPRENGRING D.23 |
| 009 | 4.008.0714 | 0 | 1 | 1 | VENTOLA PARTNER RIBASSATA h24GRIGIA ESP.00 |
| 010 | 5.002.0122 | 0 | 1 | 1 | CARCASSA'02 D110 h100 230/502P |
| 011 | 3.001.0020 | 0 | 1 | 1 | RADIAL KUGELLAGER 6203 2RS |
| 012 | 5.005.0049 | 0 | 1 | 1 | ALBERO ROTORE D.55 H.100 CIL.ESP.01 |
| 013 | 3.002.0115 | 0 | 10 | 3 | SCHRAUBE TCEI M5X35 |
| 014 | 4.005.0099 | 0 | 1 | 1 | FLANSCH |
| 015 | 3.201.0008 | 0 | 25 | 1 | SIMMERINGE |
| 016 | 3.001.0033 | 0 | 1 | 1 | RADIALKUGELLAGER 60032RS (17x35x10) 4 |
| 017 | 4.005.0196 | 0 | 1 | 1 | PIATTELLO INCLINATO 8.30CILINDRICO ESP.00 |
| 018 | 3.001.0003 | 0 | 1 | 1 | SCHEIBE AS4565 |
| 019 | 3.001.0025 | 0 | 1 | 1 | NADELKAEFIG |
| 020 | 4.007.0001 | 0 | 1 | 1 | ACHSIALLAGERSCHEIBE ESP.07 |

Code R50010453-1
 Beschreibung MOTOPOMPA PT 230/50 D.12
 8.30110h100 REG.IN.D.1,8 TS

Anfangsdatum 1/7/2003
 Schlussdatum 1/1/3000
 Tafel E50010012/01

| Pos. | Code | Preis | Menge pro | Menge. | Beschreibung |
|------|------------|-------|-----------|--------|---|
| 021 | 5.009.0452 | 0 | 1 | 3 | ASSIEME FERMO/PISTONE D.12 RETTIFICATO |
| 022 | 3.200.0014 | 0 | 10 | 1 | O-RING DICHTUNG 85X2,5 |
| 023 | 4.007.0025 | 0 | 25 | 3 | KOLBEN FEDER D.14 ESP.04 |
| 024 | 5.009.0459 | 0 | 1 | 1 | ASSIEME MICRO+CAVO TS PARTNERUSA/EU ESP.00 |
| 025 | 4.006.0270 | 0 | 1 | 1 | RACCORDO TOTAL STOPV.COMP.'02 ESP.03 |
| 026 | 4.006.0269 | 0 | 5 | 1 | SPESSORE IN OTTONE PER MOLLAV.COMP.'03 ESP.00 |
| 027 | 4.007.0284 | 0 | 1 | 1 | MOLLA RICHIAMO ASTA V.COMP.'02Di7,3 L=11 FILO |
| 028 | 3.200.0073 | 0 | 10 | 1 | OR DICHTUNG |
| 029 | 4.008.0782 | 0 | 1 | 1 | ASTA COMANDO MICROX NUOVA V.COMP. ESP.03 |
| 030 | 4.007.0305 | 0 | 5 | 1 | VITE TSPEI M3x25 A2-70 AISI304C/3M-SCOTCH-GRIP |
| 031 | 4.008.0779 | 0 | 1 | 1 | SEDE DI TENUTA CON DISTANZIALEX NUOVA V.COMP. |
| 032 | 3.200.0113 | 0 | 10 | 1 | GUARNIZIONE OR 15,08X2,62 NBRSH70 |
| 033 | 4.007.0298 | 0 | 1 | 1 | MOLLA TS V.COMP.'02 110h100 D.6,6-10,2 L22,7 FILO |
| 034 | 4.006.0268 | 0 | 1 | 1 | PISTONE DIAM.11 IN OTTONE XV.COMP.'02 ESP.05 |
| 035 | 3.200.0059 | 0 | 10 | 1 | O – RING DICHTUNG 7,66 X 1,78NBR |
| 036 | 4.608.0153 | 0 | 1 | 1 | ANELLO ANTIESTRUSIONE DIM.8x11x1,5 ESP.03 |
| 037 | 4.008.0780 | 0 | 1 | 1 | SEDE PISTONE E VALVOLA RITEGNOX NUOVA |
| 038 | 3.200.0118 | 0 | 10 | 1 | GUARNIZIONE OR 14X1,78 NBRSH 90 |
| 039 | 3.200.0029 | 0 | 10 | 1 | O-RING DICHTUNG 18,72X2,62 |
| 040 | 5.009.0278 | 0 | 1 | 1 | DRUCKREGLER |
| 042 | 5.009.0503 | 0 | 1 | 1 | PORTAGOMMA ASPIRAZ.DETERG.M10C/O-RING |
| 044 | 3.005.0001 | 0 | 50 | 1 | KUGEL INOX |
| 045 | 4.007.0014 | 0 | 25 | 1 | UEBERWURFMUTTER |
| 046 | 4.005.0209 | 0 | 1 | 1 | CORPO GUIDA D.12 |
| 048 | 5.009.0495 | 0 | 1 | 1 | RUECKSCHLAGVENTILGRUPPE PLA STT.+OR 1 20 |
| 049 | 4.607.0105 | 0 | 25 | 1 | FEDER |
| 051 | 5.009.0523 | 0 | 1 | 1 | ASSIEME INIETT.D.1,8 +OR |
| 052 | 3.200.0017 | 0 | 10 | 1 | O-RING 9,13X2,62 |
| 053 | 3.200.0013 | 0 | 10 | 3 | O-RING DICHTUNG 11,1X1,78 |
| 054 | 3.201.0014 | 0 | 1 | 3 | OELDICHTUNG |
| 055 | 3.002.0094 | 0 | 10 | 2 | SCHRAUBE TCEI M6X30 |
| 056 | 5.009.0101 | 0 | 1 | 3 | VENTIL VERSCHLUSSSCHRAUBE MITO-RING |
| 057 | 5.009.0005 | 0 | 1 | 3 | VENTIL KPL. |
| 058 | 3.200.0019 | 0 | 10 | 3 | O-RINGDICHTUNG 12,4X1,74 |
| 059 | 3.107.0009 | 0 | 1 | 1 | MANOMETRO S/GLICERINA 1/8"D.40 QUADRANTE A |
| 062 | 3.200.0018 | 0 | 10 | 1 | O-RING 9,92X2,62 |
| 064 | 4.008.0657 | 0 | 25 | 3 | ABSTANDSSTUECK OELDICHTUNG D.112 PARTNER |
| 065 | 4.006.0251 | 0 | 1 | 3 | ANELLO APPOGGIO TENUTA PARTNERD.12 BASSO |
| 066 | 4.008.0695 | 0 | 25 | 3 | ANELLO ANTIESTRUSIONE X PARTNER D.12 ESP.00 |
| 067 | 3.201.0020 | 0 | 10 | 3 | WASSERDICHTUNG |
| 068 | 5.009.0015 | 0 | 1 | 3 | ANSAUGVENTIL VORDERTEIL |
| 069 | 4.005.0187 | 0 | 1 | 1 | TESTATA PARTNER '01 X PISTONID.12 "LAV.FINITO" |

| | | | |
|---------------------|---|---------------------|--------------|
| <i>Code</i> | R50010453-1 | <i>Anfangsdatum</i> | 1/7/2003 |
| <i>Beschreibung</i> | MOTOPOMPA PT 230/50 D.12 8.30110h100 REG.IN.D.1,8 TS | <i>Schlussdatum</i> | 1/1/3000 |
| | | <i>Tafel</i> | E50010012/01 |

| Pos. | Code | Preis | Menge pro | Menge. | Beschreibung |
|------|------------|-------|-----------|--------|---|
| 070 | 3.002.0130 | 0 | 10 | 4 | VITE TCEI M6X70 CL.12,9 UNI5931 DACROMET |
| 071 | 4.008.0031 | 0 | 25 | 1 | FILTERSIEB DM16 H20 |
| 072 | 4.008.0376 | 0 | 1 | 1 | COPERCHIO X SCATOLA ELET. MOTORE'96 X |
| 074 | 4.008.0354 | 0 | 1 | 1 | ELEKTRISCHE SCHALTKASTEN |
| 075 | 4.008.0538 | 0 | 1 | 1 | PROLUNGA INGRESSO ACQUA LPESP.01 |
| 076 | 3.299.0008 | 0 | 50 | 1 | GUARNIZIONE PER ADATTATORE OTTSpess.2.7 D.Int15 |
| 082 | 5.006.0159 | 0 | 1 | 1 | MOTORE'02 D.110 H100 230-240/50 2P X PARTNER |
| 083 | 5.007.0165 | 0 | 1 | 1 | CORPO GUIDA V/COMP.'02 D.12 TSC/REG.IN.D.1,7 |
| 084 | 5.008.0164 | 0 | 1 | 1 | TESTATA PARTNER D.12 C/IND. |