

# LAVORWASH

## SERVICE

Parts

CODE

**8.021.0004**

DESCRIPTION

**IDRO KW26 PLUS 230/50 -G- NECKERMAN HDR145**

REVISION

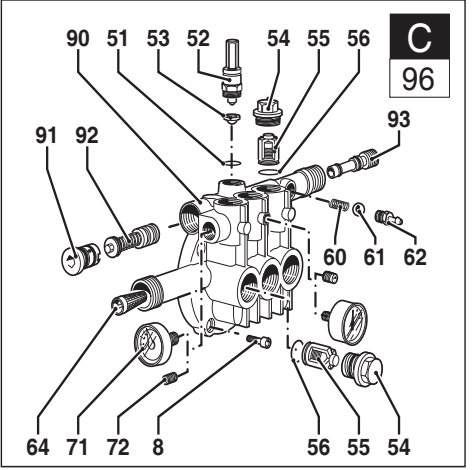
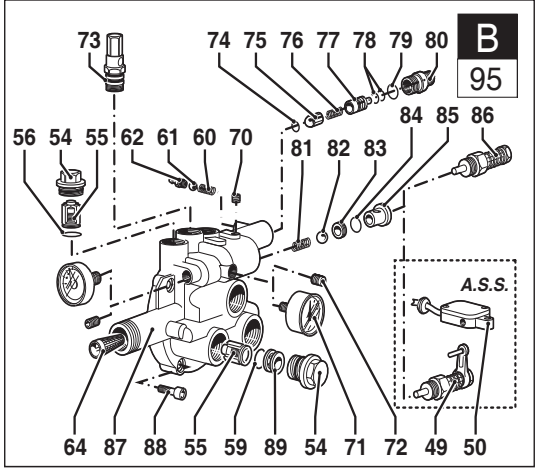
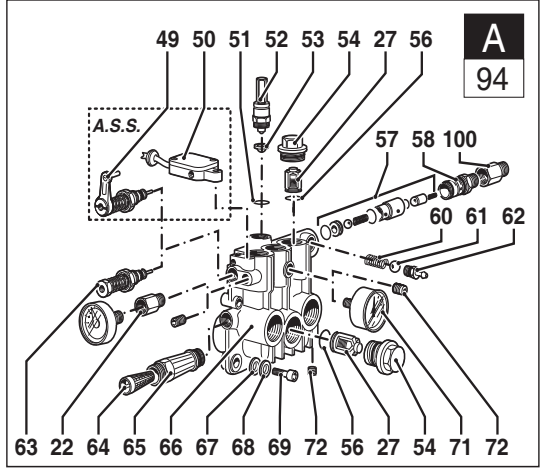
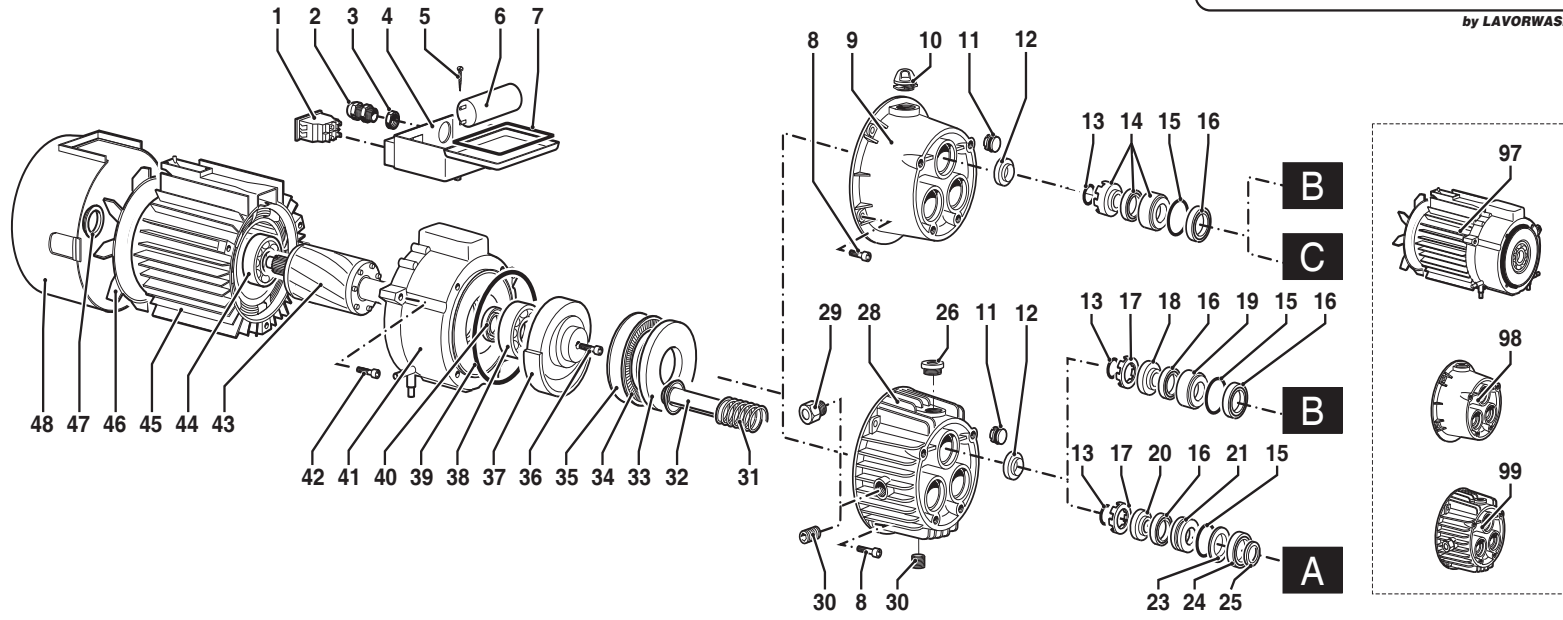
**1/1/1999**

VALIDITÀ

**WEEK 23 2013**

Exploded drawing cod. E50010004/01

by LAVORWASH



Pos.	Code	Price	Q.ty per	Qty.	Description	Alternative	Price	Q.ty per	Description
000	5.001.0168	484.83	1	1	MOTOP.BEST'96 230/50 H.110 PIAT.7,20		0	0	
001	5.009.0213	10.71	2	1	SWITCH WITH PROTECTION 12(10)		0	0	
002	3.406.0004	1.07	20	1	CABLE TERMINAL PG.11		0	0	
003	3.406.0011	1.07	20	1	BUSHING FOR PG.11 CABLE TERMINAL		0	0	
004	4.008.0356	5.44	5	1	ELECTRICAL BOX		0	0	
005	3.002.0111	1.07	20	2	SCREW TC-TORX M4X10 ZNT		0	0	
006	3.404.0031	41.2	1	1	CAPACITOR 50MF 450V D.50X92.5CABLES L=100mm		0	0	
007	4.008.0098	0	1	1	PARTNER ELECTRIC BOX GASKET ESP2	4.008.0613	1.56	20	ELECTRIC-BOX SEAL
008	3.002.0003	1.18	20	4	HEXAGON SOCKET HEAD CAP SCREWM8X25 UNI		0	0	
011	5.009.0207	10.71	2	1	CAP ASSY		0	0	
012	3.201.0002	5.56	6	3	O-RINGBADSLSF 15X25,4X5 /7		0	0	
013	3.200.0004	1.07	20	3	O-RING GASKET 12,4X1,78 REF.2050		0	0	
015	3.200.0003	1.07	25	3	O-RING GASKET 25,12X1,78 REF.2100		0	0	
016	3.201.0003	3.75	6	3	WATER SEALING RING N.15X22X4		0	0	
017	4.008.0391	1.07	20	3	OIL SEAL SPACER		0	0	
020	4.606.0041	7.23	3	3	SECOND SEALING HOLDER RING 130/8 ESP.1		0	0	
021	4.606.0040	7.23	3	3	SECOND SEALING BUSHING 130/8 OT. ESP.4		0	0	
023	4.008.0109	7.15	3	3	ANTI-EXTRUS.RING FOR SEALING 15X25X2		0	0	
024	3.201.0006	4.82	6	3	SEALING RING PDF 15X25X5 G1N84-1046		0	0	
025	4.008.0108	7.15	3	3	HEAD RING D.15 H.4		0	0	
026	5.009.0159	7.23	3	1	OIL CAP WITH O-RING 3/8G		0	0	
027	5.009.0215	7.23	3	6	DELIVERY SUCTION VALVE LAVOR 1		0	0	
028	4.005.0029	0	1	1	GUIDE BODY	4.005.0184	52.14	1	BEST BODY GUIDE WITH WINGS '01ESP.03
029	3.099.0003	2.68	10	1	OIL LEVEL INDICATOR SLNS-3/8 HOBBY		0	0	
030	3.002.0004	1.07	20	1	SCREW STEI 3/8 G.DIN 906 (OILLOAD CAP)		0	0	
031	4.007.0011	7.15	3	3	PISTON RECALL SPRING D.15 30L.42		0	0	
032	5.009.0088	28.61	1	3	PISTON ASSY D.15 CERAMIC		0	0	
033	4.007.0001	21.42	1	1	THRUST SHOE D.65 (C10Pb) FINISHED		0	0	
034	3.001.0025	2.43	10	1	NEEDLE-ROLLER CAGE		0	0	
035	3.001.0003	2.14	10	1	DISK AS 4565		0	0	
036	3.002.0011	1.23	20	1	SCREW TCEI M8X22 UNI 5931 ZNT		0	0	
037	4.005.0072	21.42	1	1	INCLINED PLATE 7.52 C=6,6 5(S)ESP.2		0	0	
038	3.001.0012	10.71	2	1	BALLS THRUST BEARING -51207-		0	0	
039	3.200.0002	1.07	20	1	O-RING GASKET 90X2,5		0	0	

**8.021.0004**

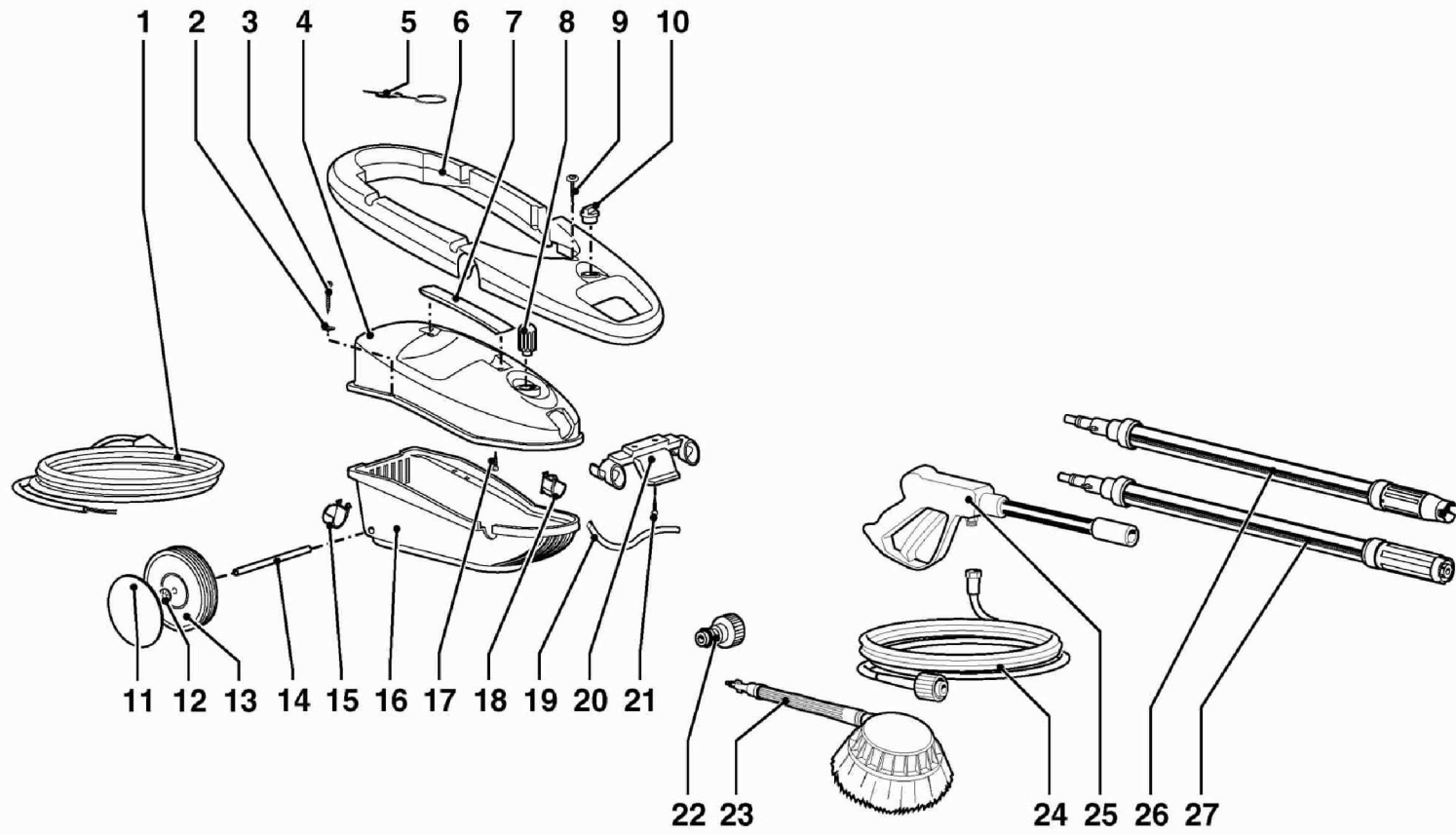
**R50010168-1**

**MOTOP.BEST'96 230/50 H.110 PIAT.7,52 CER.M/ANTERIORE**



Exploded drawing E8021C003/01

by LAVORWASH



0899



