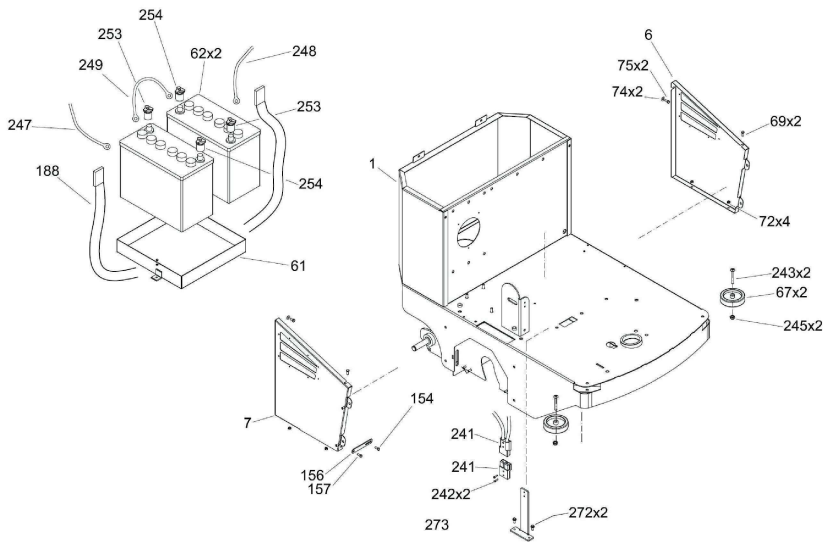


E0061CH05/01

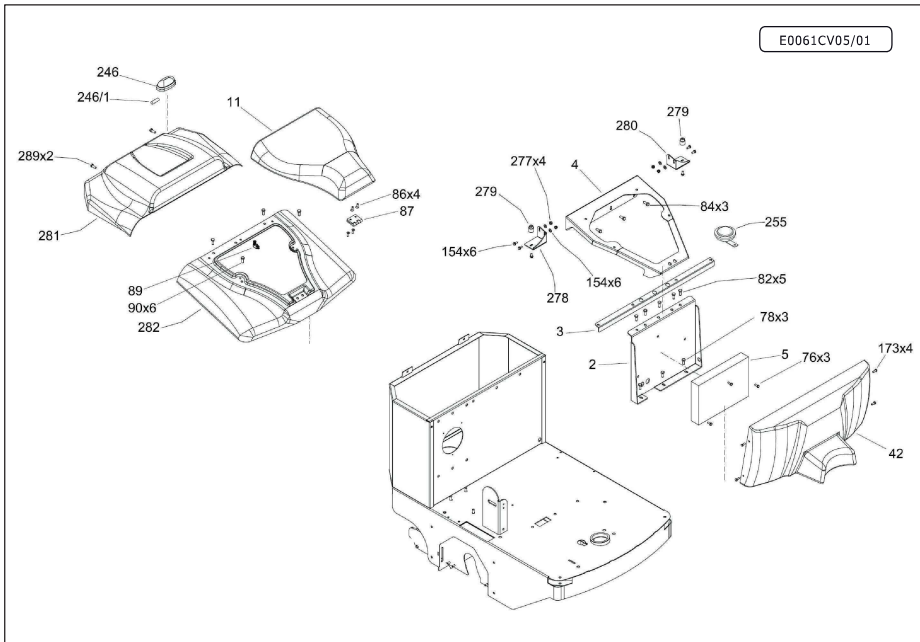


## PARTS LIST

*Code* R0061CH05-1  
*Description* CHASSIS

*Start Date* 5/12/2011  
*End Date* 1/1/3000  
*Table* E0061CH05-01

Pos.	Code	Price	Q.ty per pck.	Qty.	Description	Alternative	Price	C	P
006	0.961.0184	0	1	1	PLASTIC COVER LEFT SIDE		0	0	0
007	0.961.0185	0	1	1	PLASTIC COVER RIGHT SIDE		0	0	0
067	0.961.0129	74.2	1	2	WHEEL BUMPER		0	0	0
241	0.961.0186	0	1	2	BATTERY CONNECTOR		0	0	0



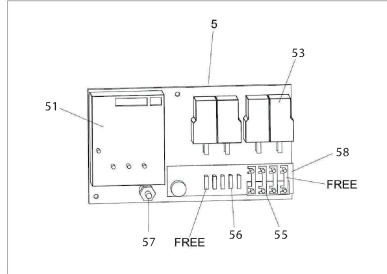
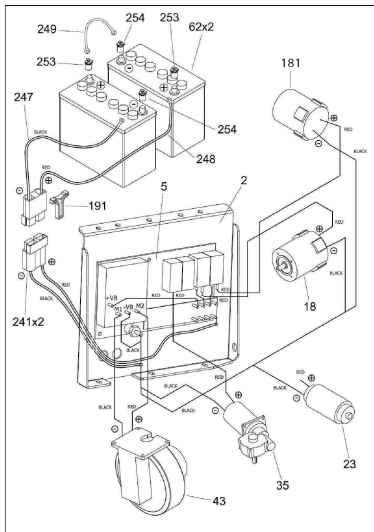
## PARTS LIST

*Code* R0061CV05-1  
*Description* COVERS

*Start Date* 5/12/2011  
*End Date* 1/1/3000  
*Table* E0061CV05-01

Pos.	Code	Price	Q.ty per pck.	Qty.	Description	Alternative	Price	C	P
005	0.961.0187	1751	1	1	COMPLETE 4Q CONTROL UNIT		0	0	0
011	0.961.0188	0	1	1	SADDLE		0	0	0
246	0.961.0189	0	1	1	FLASHING LIGHT		0	0	0
281	0.961.0190	0	1	1	GREY FILTER HOOD		0	0	0
282	0.961.0191	0	1	1	GREY SEAT HOOD		0	0	0

E0061SE05/01



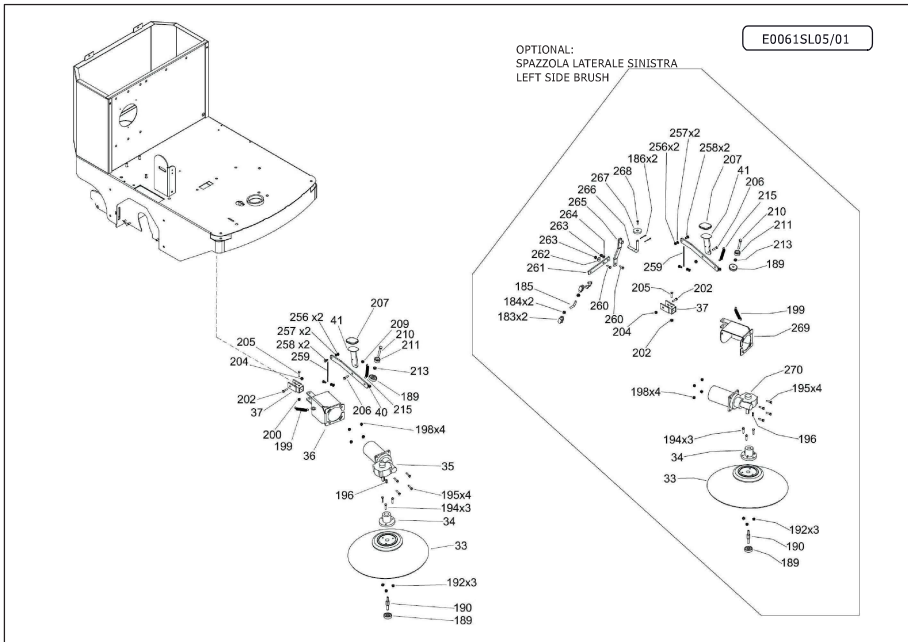
**LAVORWASH**  
**SERVICE**

## PARTS LIST

*Code* R0061SE05-1  
*Description* ELECTRIC COMPONENTS

*Start Date* 5/12/2011  
*End Date* 1/1/3000  
*Table* E0061SE05-01

Pos.	Code	Price	Q.ty per pck.	Qty.	Description	Alternative	Price	C	P
005	0.961.0187	1751	1	1	COMPLETE 4Q CONTROL UNIT		0	0	0
051	0.961.0209	1030	1	1	4Q CONTROL UNIT LOGIC		0	0	0
053	0.961.0210	129.8	1	4	MINI RELAY 24V 100A		0	0	0
055	0.961.0211	0	1	4	80A LAMELLAR FUSE		0	0	0
056	0.961.0212	0	1	5	10A LAMELLAR FUSE		0	0	0
057	0.961.0213	0	1	1	ISOLATOR 2xM8 M		0	0	0
058	0.961.0214	0	1	1	COMPLETE FUSE HOLDER PLATE		0	0	0

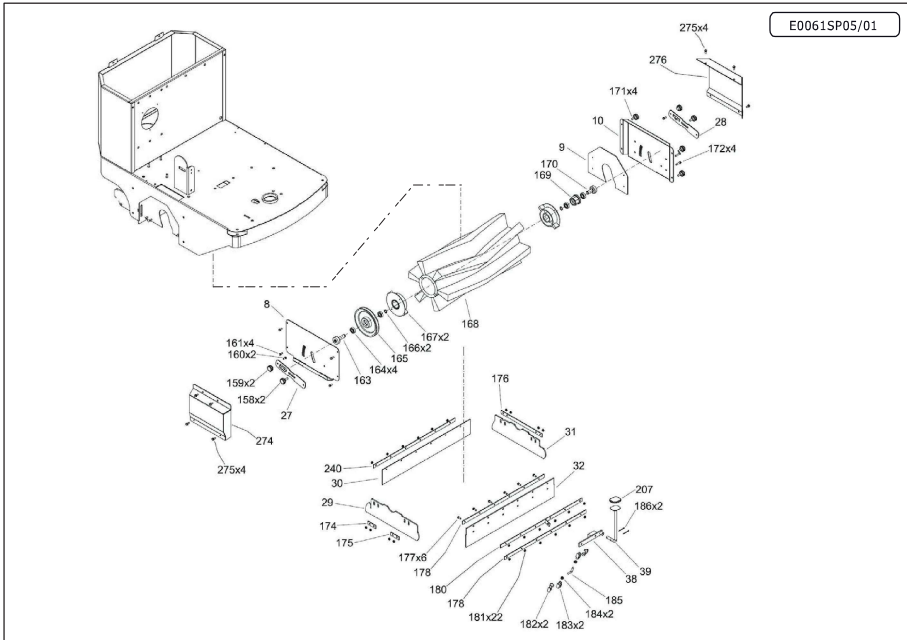


## PARTS LIST

*Code* R0061SL05-1  
*Description* SIDE BRUSH

*Start Date* 5/12/2011  
*End Date* 1/1/3000  
*Table* E0061SL05-01

Pos.	Code	Price	Q.ty per pck.	Qty.	Description	Alternative	Price	C	P
033	0.961.0006	65.95	1	1	PP SIDE BRUSH		0	0	0
034	0.961.0123	36.05	1	1	SIDE BRUSH FLANGE		0	0	0
035	0.961.0192	865.2	1	1	SIDE BRUSH GEAR MOTOR		0	0	0
207	0.961.0137	0	1	1	RUBBER PAD, BRAKE PEDAL COVER		0	0	0

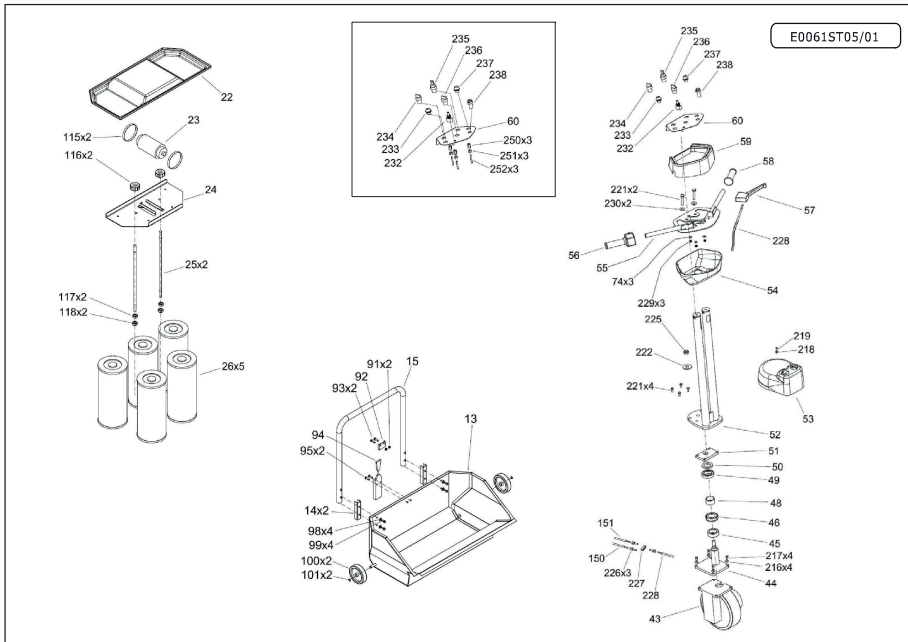


# PARTS LIST

Code R0061SP05-1  
 Description CENTRAL BRUSH

Start Date 5/12/2011  
 End Date 1/1/3000  
 Table E0061SP05-01

Pos.	Code	Price	Q.ty per pck.	Qty.	Description	Alternative	Price	C	P
029	0.961.0204	0	1	1	RIGHT FLAP		0	0	0
030	0.961.0205	0	1	1	REAR FLAP		0	0	0
031	0.961.0206	0	1	1	LEFT FLAP		0	0	0
032	0.961.0207	0	1	1	FRONT FLAP		0	0	0
167	0.961.0208	0	1	2	PLASTIC HUB FOR CENTRAL BRUSH		0	0	0
168	0.961.0010	185.7	1	1	PP - MOPLEN BODY MAIN BRUSH		0	0	0
207	0.961.0137	0	1	1	RUBBER PAD, BRAKE PEDAL COVER		0	0	0



# LAVORWASH

## SERVICE

# PARTS LIST

Code R0061ST05-1  
 Description STEERING

Start Date 5/12/2011  
 End Date 1/1/3000  
 Table E0061ST05-01

Pos.	Code	Price	Q.ty per pck.	Qty.	Description	Alternative	Price	C	P
013	0.961.0193	0	1	1	WASTE COLLECTION DRAWER		0	0	
023	0.961.0103	488.25	1	1	FILTERS SHAKER 24V		0	0	
026	0.961.0003	48.85	1	5	PAPER CARTRIDGE FILTER 14micron		0	0	
043	0.961.0194	2920.05	1	1	WHEEL MOTOR		0	0	
056	0.961.0195	432.6	1	1	COMPLETE ACCELERATION/REVERSEKNOB		0	0	
092	0.961.0130	0	1	1	CLOSURE STOP		0	0	
094	0.961.0126	0	1	1	LEVER, DUST CONTAINER LOCK		0	0	
100	0.961.0129	74.2	1	2	WHEEL BUMPER		0	0	
228	0.961.0196	0	1	1	BRAKE CABLE + CENTRAL SHEATH		0	0	
232	0.961.0146	66.45	1	1	SWITCH LIGHT		0	0	
235	0.961.0143	123.6	1	1	STARTER SWITCH KEY		0	0	
236	0.961.0147	74.2	1	1	SWITCH BRUSH-SUCTION		0	0	
237	0.961.0145	30.9	1	1	ELECTRIC HORN PUSH BUTTON	0.961.0055	27.85	1	
238	0.961.0148	142.15	1	1	LED BATTERY POWER		0	0	