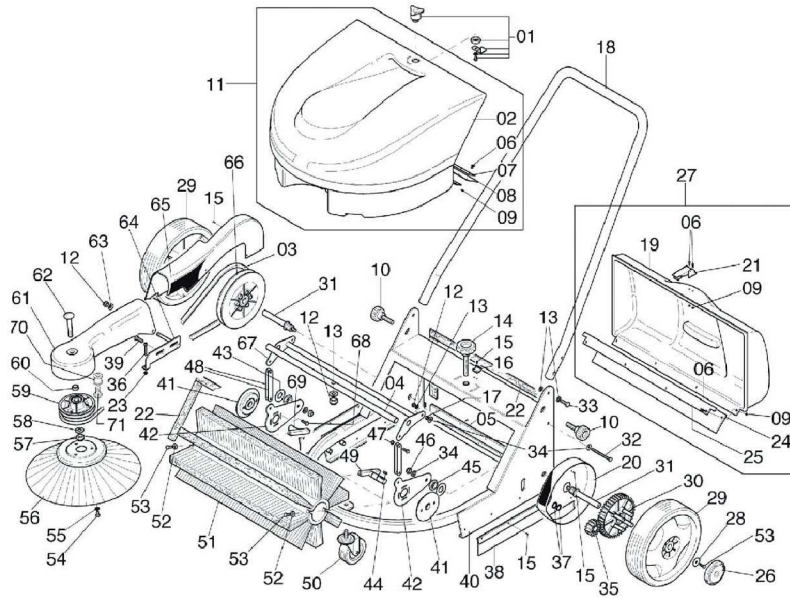


Exploded drawing E0042C001/01

by LAVORWASH



0706

LAVORWASH
SERVICE

ERSATZTEILLISTE

Code R00420001-1
Beschreibung SPAZZATRICE BSW 650M -G-

Anfangsdatum 19/1/2005
Schlussdatum 1/1/3000
Tafel E0042C001-01

Pos.	Code	Preis	Menge pro	Menge.	Beschreibung	Alternative	Preis	M
001	0.942.0001	26.78	1	1	VOLANTINO 203907002		0	0
003	0.942.0005	29.87	1	1	CINGHIA 406607001		0	0
004	0.942.0006	20	1	1	TUBO COMANDO BILANCIERE 104427001		0	0
005	0.942.0007	63.48	1	1	FASCIA POSTERIORE 207507002		0	0
007	0.942.0008	20	1	1	PIATTO X FASCIA CASSETTO 113807005		0	0
008	0.942.0009	30.98	1	1	FASCIA CASSETTO 112107004		0	0
010	0.942.0010	20	1	2	MANOPOLA 102104004		0	0
011	0.942.0003	189.11	1	1	CASSETTO ANTERIORE GIALLO 206907006		0	0
014	0.942.0011	26.78	1	1	MANOPOLA 203907001		0	0
016	0.942.0012	20	1	1	GANCIO X CHIUSURA A LEVA 112607001		0	0
018	0.942.0013	64.05	1	1	MANICO 204207001		0	0
020	0.942.0014	69.72	1	1	CARTER INGRANAGGI 107507001		0	0
021	0.942.0015	2.89	8	1	AGGANCIO X CHIUSURA RAPIDA 406707001		0	0
022	0.942.0016	20	1	1	GUARNIZIONE 100617001		0	0
024	0.942.0017	30.98	1	1	FASCIA CASSETTO POSTERIORE 112107003		0	0
025	0.942.0018	23.63	1	1	PIATTO X FASCIA CASSETTO POSTERIORE 113807004		0	0
026	0.942.0019	9.95	3	2	COPRIMOZZO 108507001		0	0
027	0.942.0021	89.3	1	1	CASSETTO POSTERIORE GIALLO 206907004		0	0
029	0.942.0023	56.65	1	2	RUOTA RIVESTITA 205407001		0	0
030	0.942.0024	20	1	1	INGRANAGGIO 206207001		0	0

Code R00420001-1 Anfangsdatum 19/1/2005
 Beschreibung SPAZZATRICE BSW 650M -G- Schlussdatum 1/1/3000
 Tafel E0042C001-01

Pos.	Code	Preis	Menge pro	Menge.	Beschreibung	Alternative	Preis	M	P
031	0.942.0025	25.75	1	2	PERNO RUOTA 100227003		0	0	0
035	0.942.0026	20	1	1	PIGNONE 112207001		0	0	0
037	0.942.0027	2.89	8	2	ANELLO ELASTICO 402507002		0	0	0
038	0.942.0028	95.92	1	2	FASCIA LATERALE 207507001		0	0	0
040	0.942.0029	186.9	1	1	TELAIO 201507002		0	0	0
041	0.942.0030	20	1	2	FLANGIA 206007001		0	0	0
042	0.942.0031	20	1	2	STAFFA PORTA CUSCINETTO 108907001		0	0	0
044	0.942.0032	2.89	8	1	CHIAVETTA 402107001		0	0	0
048	0.942.0033	97.13	1	2	BILANCIERE 206517001		0	0	0
049	0.942.0034	20	1	1	PROFILO TRASCINATORE SPAZZOLASX 100247001		0	0	0
050	0.942.0035	20	1	1	RUOTA 108607002		0	0	0
051	0.942.0036	80	1	1	SPAZZOLA 406507002		0	0	0
056	0.942.0037	25	1	1	SPAZZOLA LATERALE 406507001 D.300		0	0	0
059	0.942.0038	38.06	1	1	PULEGGIA 206107002		0	0	0
060	0.942.0039	7.35	4	1	DISTANZIALE X PULEGGIA 106007001		0	0	0
061	0.942.0040	128.02	1	1	BRACCIO PORTA SPAZZOLA 114007001		0	0	0
063	0.942.0041	2.89	8	1	MOLLA A TAZZA 400311001		0	0	0
064	0.942.0042	33.99	1	1	SUPPORTO BRACCIO LATERALE 202407001		0	0	0
065	0.942.0043	106.46	1	1	CARTER CINGHIA 107507002		0	0	0
066	0.942.0044	48.04	1	1	PULEGGIA 206107001		0	0	0
067	0.942.0045	59.38	1	1	BILANCIERE 103917001		0	0	0
070	0.942.0046	7.58	3	1	RULLO 114307002		0	0	0